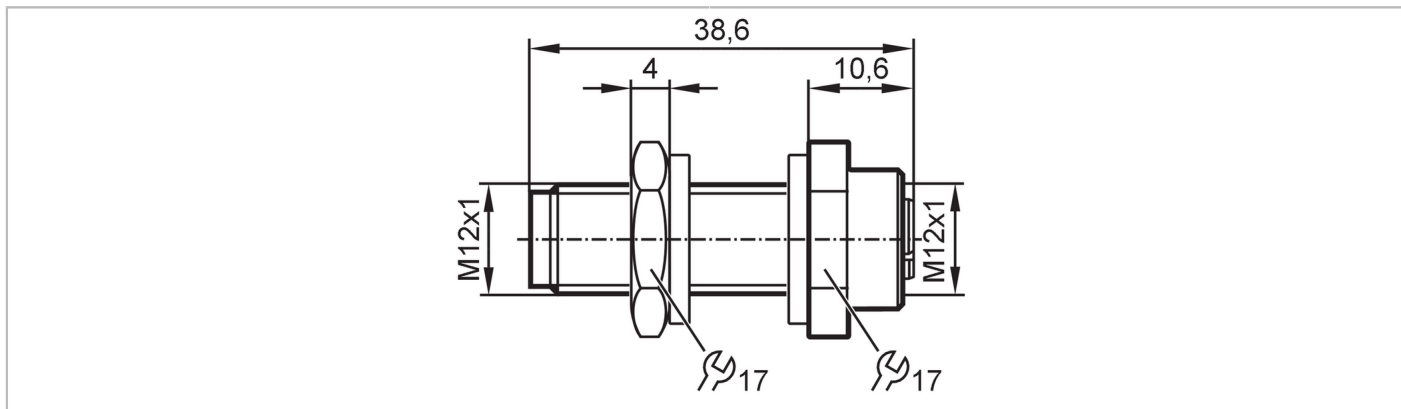


# E73008



## Wall passage

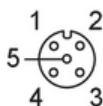
Wall passage standard



Electrical data	
Operating voltage [V]	< 60 AC/DC
Max. current load total [A]	8; (Pin 1+3: 4 A; Pin 2+4: 4 A)
Operating conditions	
Ambient temperature [°C]	-40...85
Protection	IP 65; IP 67
Mechanical data	
Weight [g]	24.1
Material	brass nickel-plated; sealing: FKM
Molded-body material	brass, nickel-plated
Tightening torque [Nm]	1
Remarks	
Pack quantity	1 pcs.

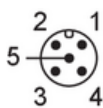
### Electrical connection - Socket

Connector: 1 x M12, straight; coding: A; Contacts: 5; Moulded body: brass, nickel-plated



### Electrical connection - plug

Connector: 1 x M12, straight; coding: A; Contacts: 5; Moulded body: brass, nickel-plated



# E73008



## Wall passage

Wall passage standard

### Connection

