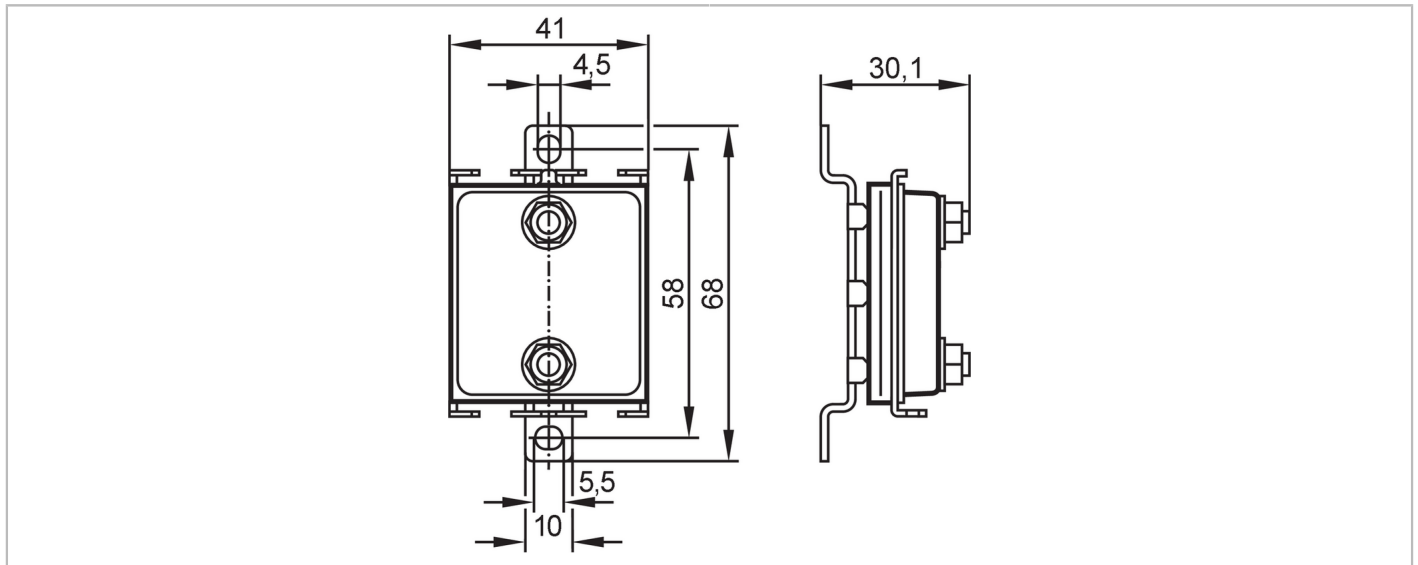


E70377



AS-Interface flat cable splitter

FCE Splitter yeye ProcessL



Application	
Design	AS-i / 24 V
Application	sanitary and wet areas in the food industry
Electrical data	
Protection class	III
Max. current load total [A]	8
Outputs	
Electrical design	AS-i
Operating conditions	
Ambient temperature [°C]	-30...80
Max. relative air humidity [%]	80; (31 °C; linearly decreasing to 50 % (40 °C))
Max. height above sea level [m]	2000
Protection	IP 67; IP 68; IP 69K
Degree of soiling	2
Tests / approvals	
EMC	EN 61000-6-2
Mechanical data	
Weight [g]	101.5
Material	metal parts: stainless steel (1.4404 / 316L); rubber gasket for contact pins: FPM; O-ring: EPDM
Tightening torque [Nm]	2.5; (lock nuts)
Accessories	
Accessories (optional)	Torque wrench, E70390
Remarks	
Pack quantity	1 pcs.