

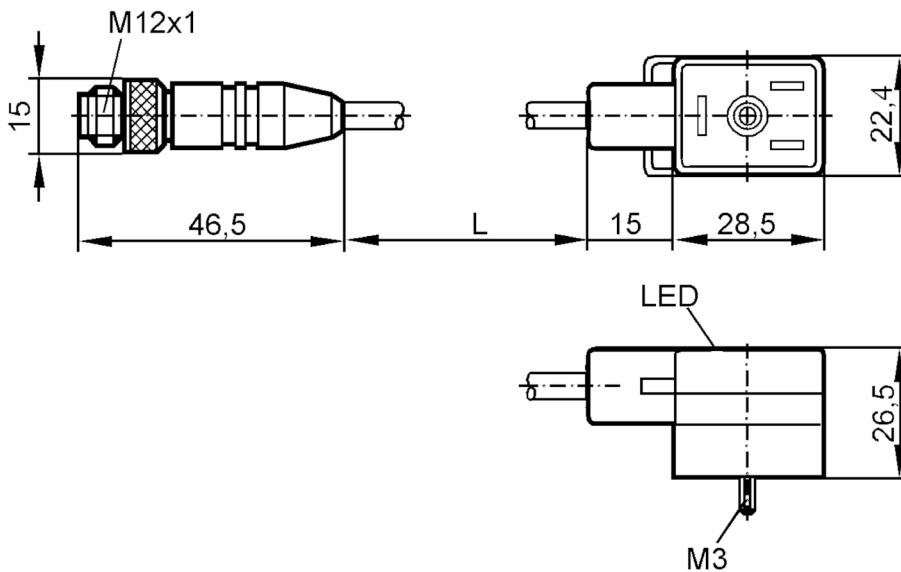
E70089



Patchcords with valve plug

VVSAB031--S0001A03STGH030MSS

Article no longer available - archive entry



Electrical data

Operating voltage	[V]	< 24 AC/DC
Overvoltage protection		yes; (VDR)

Operating conditions

Ambient temperature	[°C]	-25...90
Protection		IP 67

Mechanical data

Material	TPU (urethane)
Material nut	brass, nickel-plated / brass, nickel-plated

Displays / operating elements

Display	Switching status	1 x LED, yellow
---------	------------------	-----------------

Accessories

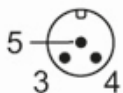
Accessories (supplied)	screw panel for labelling
------------------------	------------------------------

Remarks

Pack quantity	1 pcs.
---------------	--------

Electrical connection - plug

Connector: 1 x M12, straight; Moulded body: TPU (urethane); Locking: brass, nickel-plated



E70089



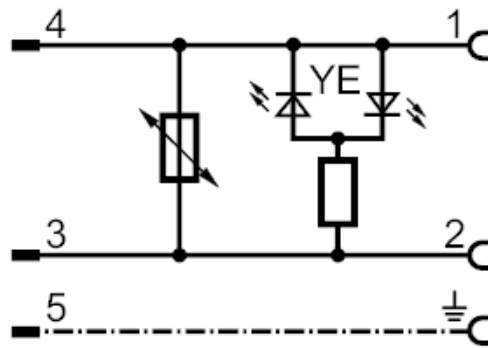
Patchcords with valve plug

VVSAB031--S0001A03STGH030MSS

Electrical connection

Cable: 1 m, PUR / PVC; 3 x 0.5 mm²

Connection



Electrical connection - Socket

Connector: 1 x valve type B industrial standard, angled; Moulded body: TPU (urethane); Locking: brass, nickel-plated



Article no longer available - archive entry