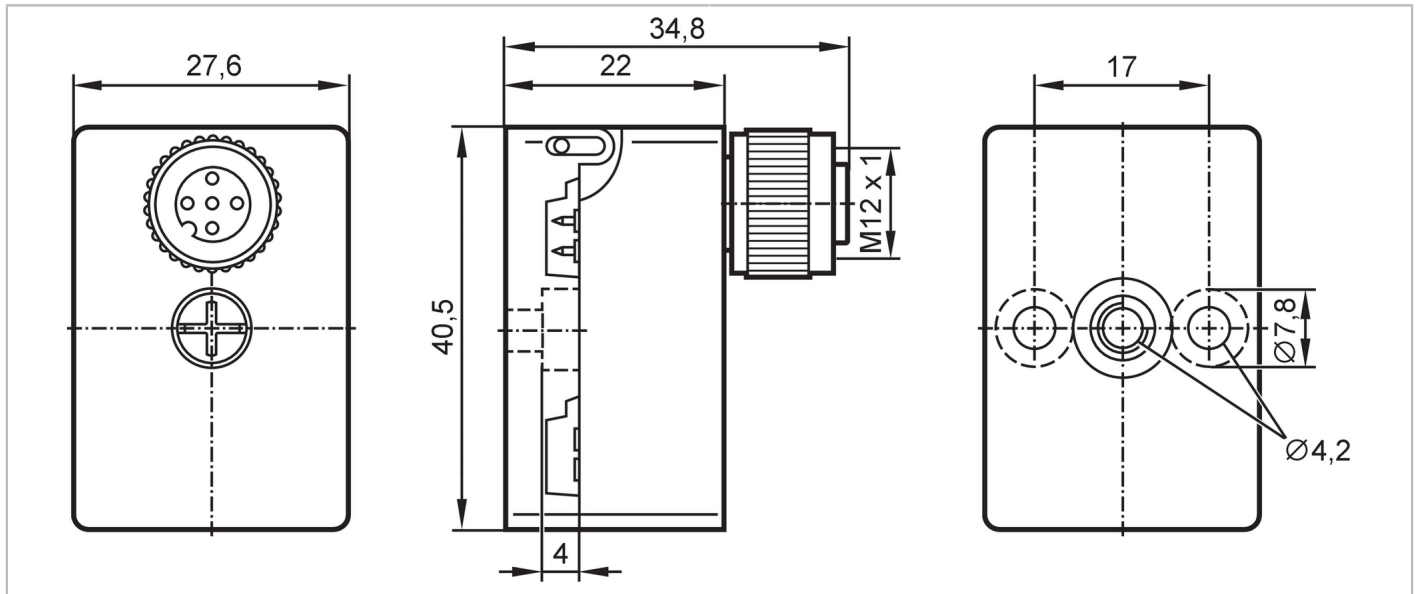


E70587



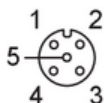
AS-Interface flat cable insulation displacement connector

FC Splitter AS-i / AUX M12 UL



Electrical data	
Protection class	III
Max. current load per module/slot [A]	4
Outputs	
Electrical design	AS-i
Operating conditions	
Ambient temperature [°C]	-25...75
Protection	IP 67
Mechanical data	
Weight [g]	60.5
Material	housing: PBT / PC; screw: stainless steel (1.4305 / 303)
Tightening torque [Nm]	< 1.65
Accessories	
Accessories (optional)	flat cable end seal; E70413 Heat-shrink cap; E70113
Remarks	
Remarks	The flat cable should not end in the splitter. Use a flat cable seal or heat-shrink cap for sealing.
Pack quantity	1 pcs.
Electrical connection	

Connector: M12; coding: A; Contacts: 5; Moulded body: PUR



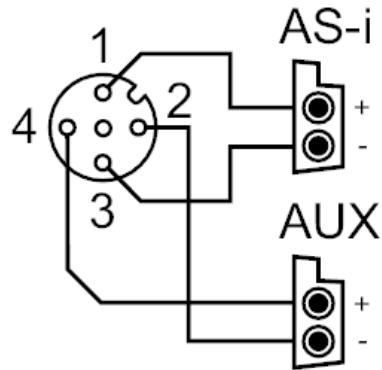
E70587



AS-Interface flat cable insulation displacement connector

FC Splitter AS-i / AUX M12 UL

Connection



1	AS-i +
2	AUX -
3	AS-i -
4	AUX +