

E70585



AS-Interface flat cable insulation displacement connector

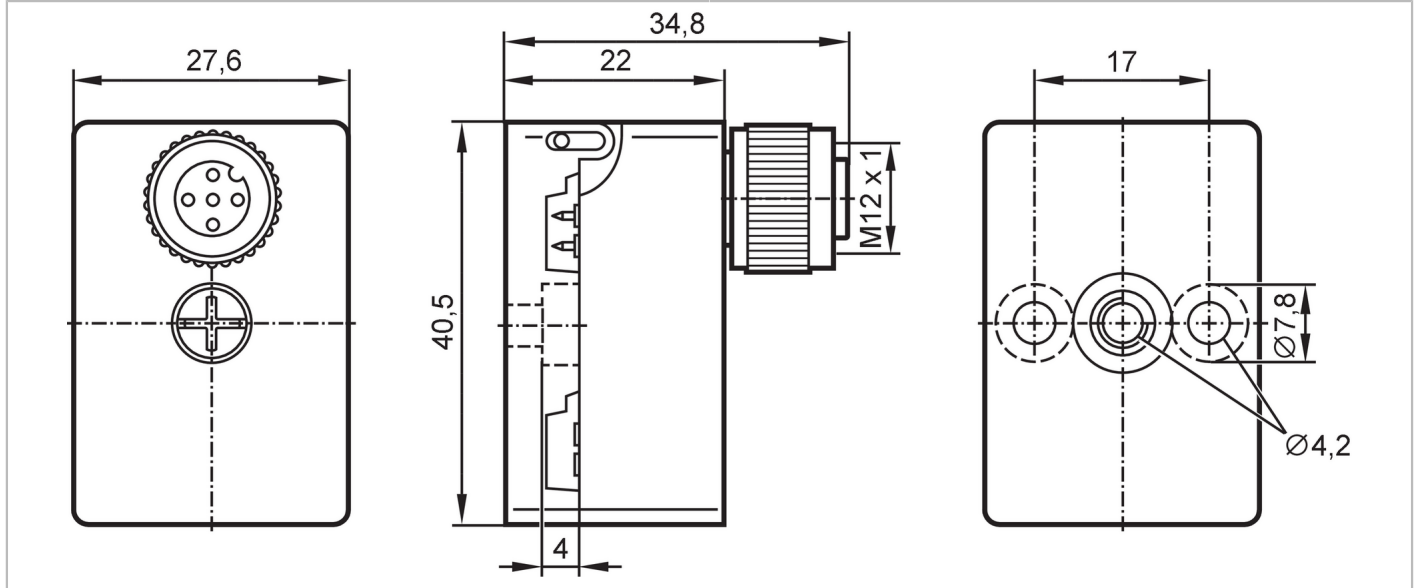
FC Splitter AS-i M12 FC top UL

Article to be discontinued

Discontinuation date: 12/31/2026

Alternative articles: E75005

When selecting an alternative article and accessories please note that technical data may differ!



Electrical data	
Protection class	III
Max. current load total [A]	4
Outputs	
Electrical design	AS-i
Operating conditions	
Ambient temperature [°C]	-25...75
Protection	IP 67
Mechanical data	
Weight [g]	53.8
Material	PBT / PC
Tightening torque [Nm]	1.65
Accessories	
Accessories (optional)	flat cable end seal:, E70413 Heat-shrink cap:, E70113
Remarks	
Remarks	The flat cable must not end in the splitter. Use a flat cable seal or heat-shrink cap for sealing. for direct connection of AS-i M8 modules and AS-i CompactModules M12
Pack quantity	1 pcs.

E70585

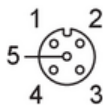


AS-Interface flat cable insulation displacement connector

FC Splitter AS-i M12 FC top UL

Electrical connection

Connector: M12; coding: A



1	AS-i +
3	AS-i -
	Keyway top right