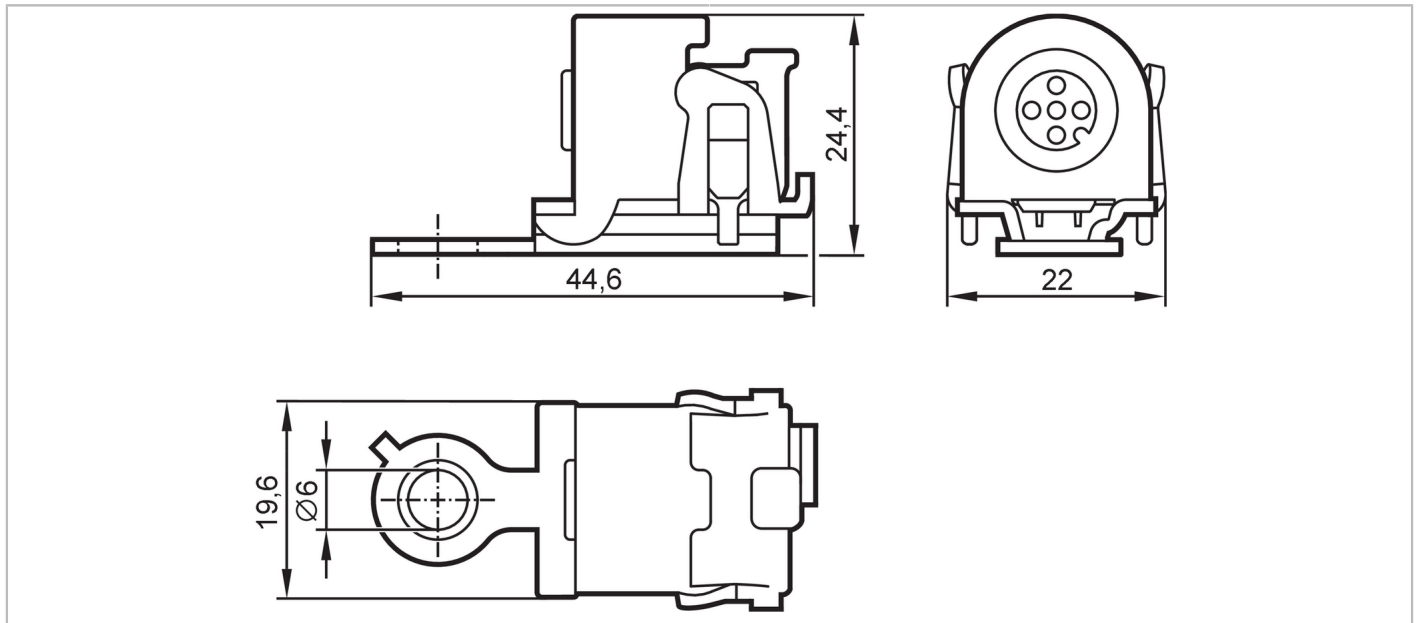


E70455



AS-Interface flat cable insulation displacement connector

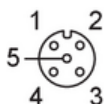
FC Splitter ye ProcessL



Application	
Design	AS-i
Electrical data	
Operating voltage [V]	26.5...31.6 DC
Outputs	
Max. current load outputs total [A]	2
Operating conditions	
Ambient temperature [°C]	-30...80
Protection	IP 68; IP 69K
Tests / approvals	
EMC	EN 61000-6-2
Mechanical data	
Weight [g]	47
Material	metal parts: stainless steel (1.4404 / 316L); rubber gasket for contact pins: FPM; O-ring: EPDM
Accessories	
Accessories (optional)	Torque wrench:, E70390
Remarks	
Pack quantity	1 pcs.

Electrical connection

Connector: 1 x M12; coding: A; Contacts: 5; Tightening torque: ...0.8 Nm



E70455



AS-Interface flat cable insulation displacement connector

FC Splitter ye ProcessL

Connection

- 1: AS-i +
- 2: n.c.
- 3: AS-i -
- 4: n.c.
- 5: n.c.