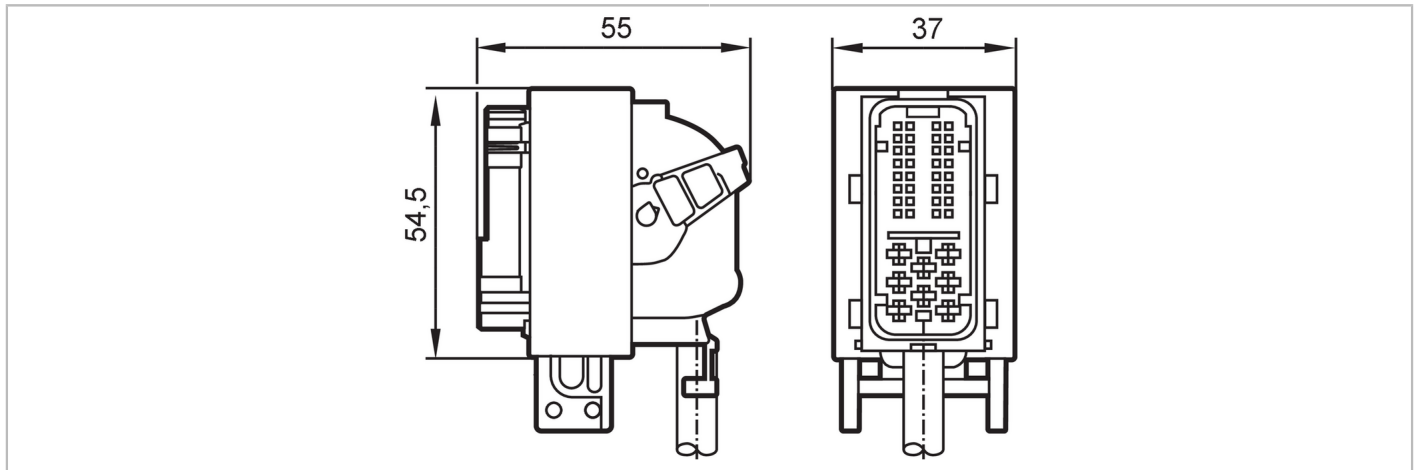


E70451



Female cordset

Edge-Gateway/Power cable

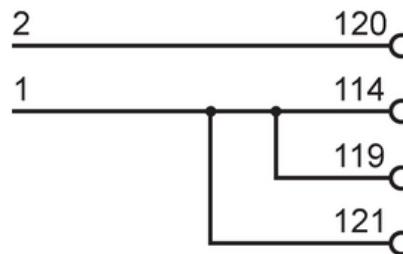


Application	
Application	Industrial applications; voltage supply for edgeGateway
Electrical data	
Operating voltage	[V] 8...32 DC
Operating conditions	
Ambient temperature	[°C] -30...85
Protection	IP 65
Mechanical data	
Weight	[g] 236
Material	PBT-GF20
Remarks	
Pack quantity	1 pcs.

Electrical connection

Cable: 5 m, PVC; FLRY-B; 0.75 mm²

Connection



1	+ 24 V
2	GND