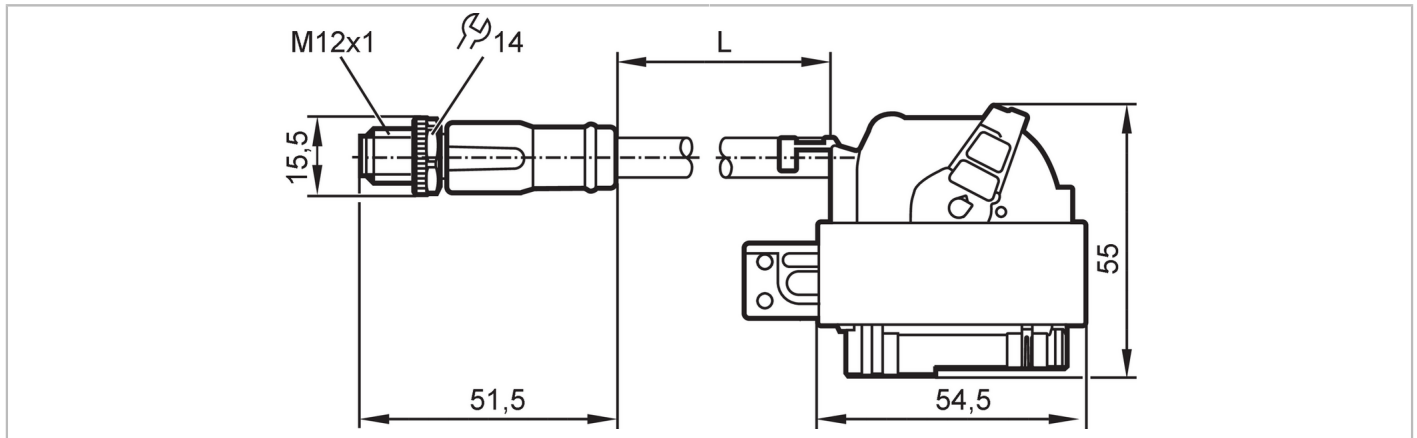


E70450



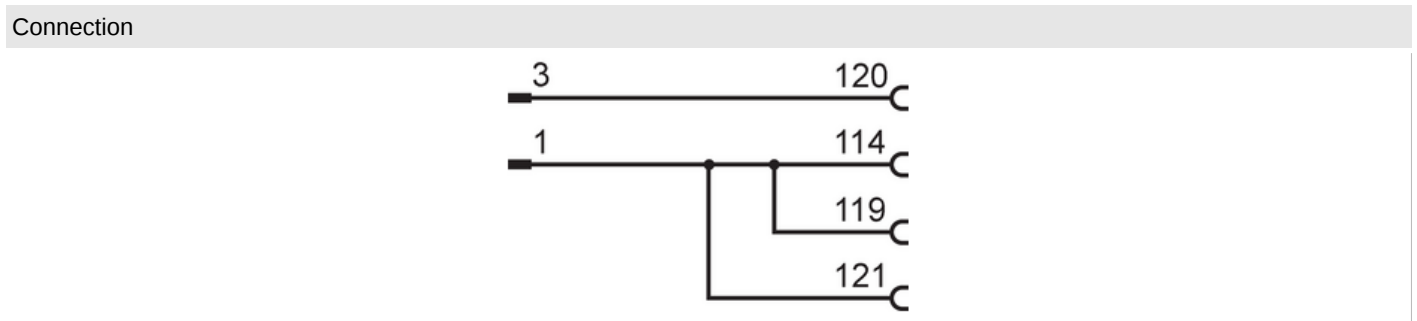
Connection cable

Edge-Gateway/Power cable M12



Application	
Application	voltage supply for edgeGateway
Electrical data	
Operating voltage [V]	8...32 DC
Operating conditions	
Storage temperature [°C]	-40...105
Protection	IP 65
Mechanical data	
Weight [g]	111.5
Material	PBT-GF20
Remarks	
Pack quantity	1 pcs.

Electrical connection
 Cable: 0.6 m, PVC; FLRY-B



Electrical connection - plug

Connector: 1 x M12; coding: A; Contacts: 4



1	L+
2	N.C.
3	L-
4	N.C.