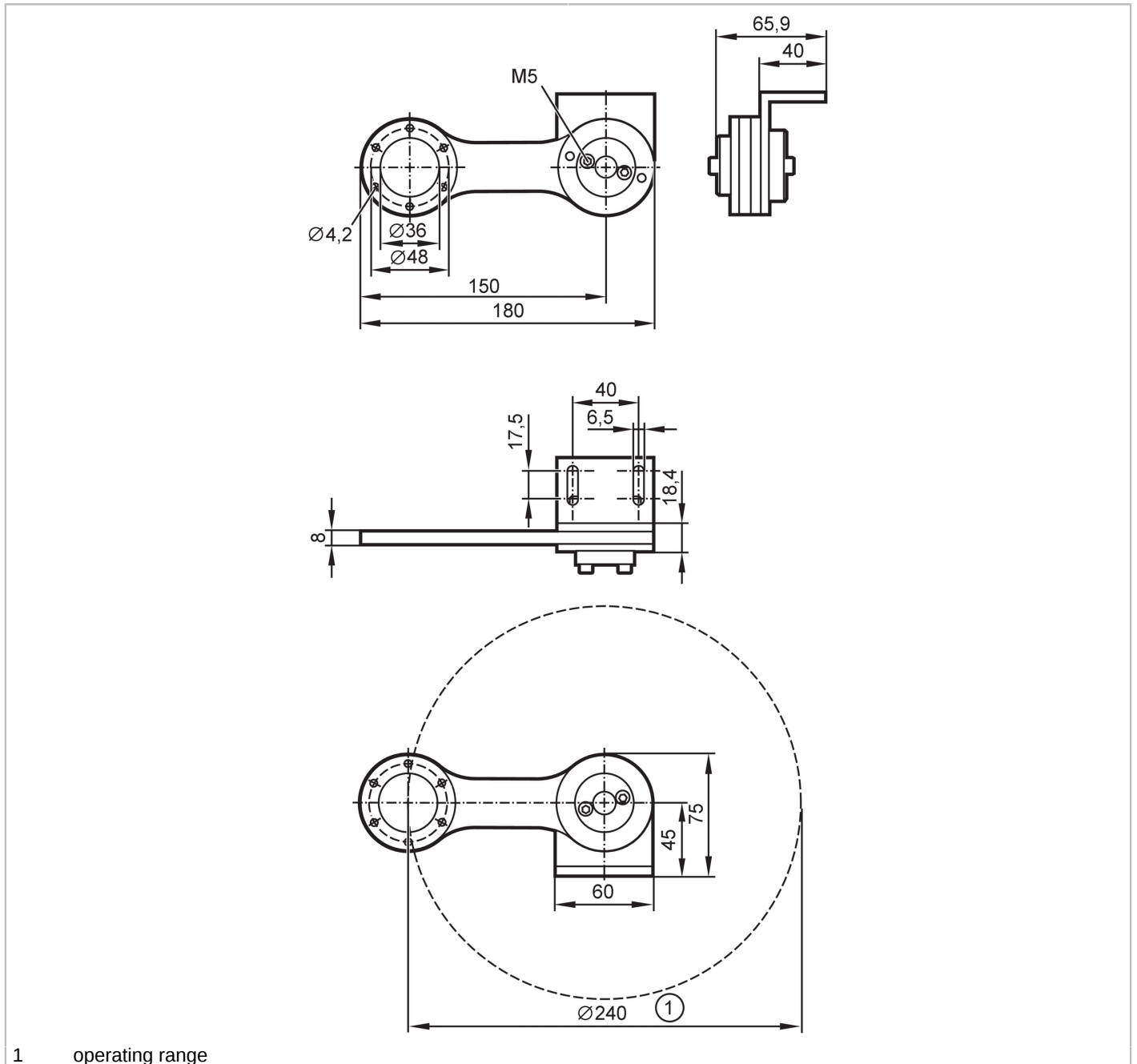


E61438



Spring arm for encoders

ENCODER SPRING ARM



1 operating range

Application

Design for encoder with clamp flange

Operating conditions

Ambient temperature [°C] -30...60

Mechanical data

Weight [g]	527.1
Installation instruction	can be mounted from both sides
Dimensions [mm]	180 x 65.9 x 75
Outer diameter [mm]	300
Material	aluminum anodized; Spring: stainless steel (1.4310 / 301)
Tightening torque [Nm]	4.3

E61438



Spring arm for encoders

ENCODER SPRING ARM

Max. angular displacement	[°]	45
Activation force	[N]	10...30

Remarks

Remarks	With scale
Pack quantity	1 pcs.

Diagrams and graphs

Installation

