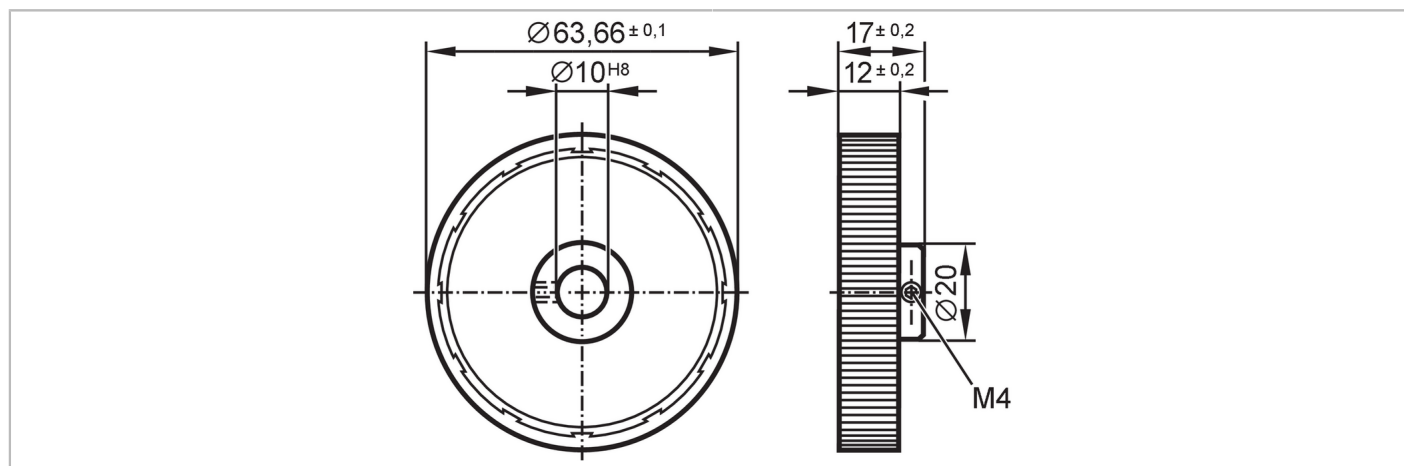


E60138



Measuring wheel

MEASURING WHEEL U:200 N:10



Application		
Design		grooved plastic
Operating conditions		
Ambient temperature	[°C]	-30...80
Mechanical data		
Weight	[g]	61.3
Inside diameter	[mm]	10
Outer diameter	[mm]	63.66
Material		wheel: aluminum; surface characteristics: PU
Tightening torque	[Nm]	1.5; (Mounting screw)
Surface hardness		90 Shore A
Circumference	[mm]	200
Remarks		
Pack quantity		1 pcs.