

E60125

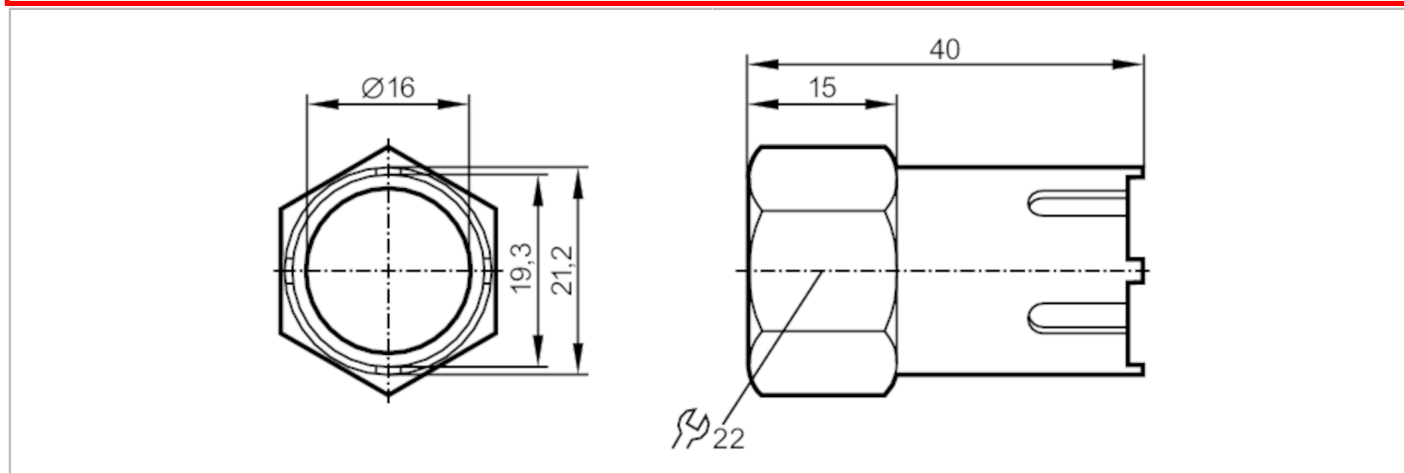


Assembly tool for connectors

ASSEMBLY TOOL FOR CONNECTOR

Discontinued article

Discontinuation date: 31.03.2016



Application	
Design	for connectors ifm 1001.x
Mechanical data	
Weight [g]	50
Material	stainless steel (1.4305 / 303)
Remarks	
Notes	Discontinued article
Pack quantity	1 pcs.

Discontinued article

Discontinuation date: 31.03.2016