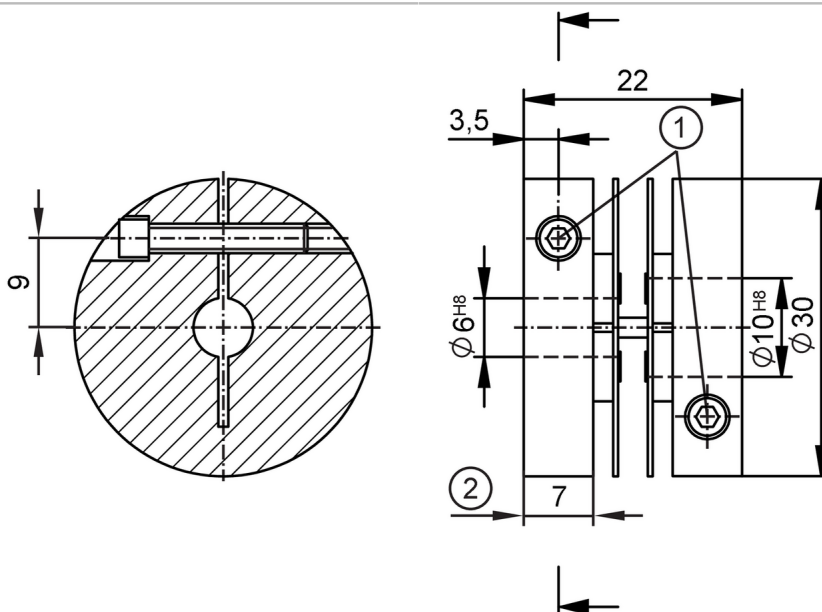


# E60117



## Spring disc coupling electrically isolating

SPRING COUPLING 30-6-10-22



- 1 M3 x 10 - ISO 4762 (2x)
- 2 Depth der Klemmnabe

### Mechanical data

Weight	[g]	30.5
Dimensions	[mm]	Ø 30 / L = 22
Material		diecast zinc; PA
Tightening torque	[Nm]	tightening torque screws: 120 Ncm
External diameter D	[mm]	30
Inside diameter 1	[mm]	6
Inside diameter 2	[mm]	10
Depth of the clamping hub	[mm]	7
Clamping screw	[mm]	M3 x 10 - ISO 4762 (2x)
Length	[mm]	22
Max. revolution, mechanical	[U/min]	12000
Max. axial shaft misalignment	[mm]	± 0,4
Max. radial shaft misalignment	[mm]	± 0,3
Max. angular displacement	[°]	± 2,5

### Remarks

Remarks	The data indicated apply to couplings with the above hub borings at an ambient temperature of 23 °C. The values of radial, angular and axial displacement are maximum values which must not reach their maximum simultaneously while in operation.
Pack quantity	1 pcs.