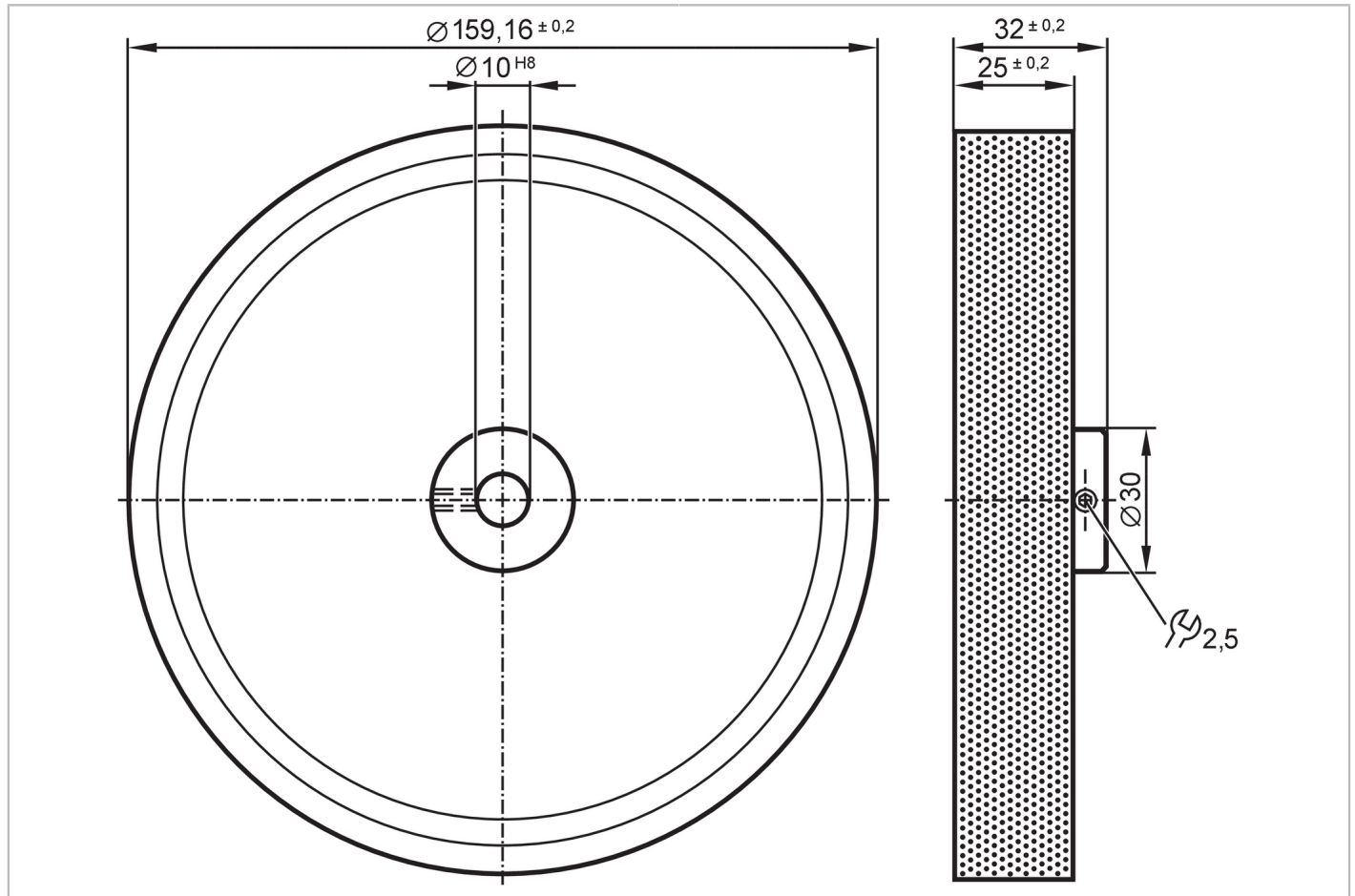


# E60076



## Measuring wheel

MEASURING WHEEL U:500 N:10



Application	
Design	rubber
Operating conditions	
Ambient temperature	[°C] -30...80
Mechanical data	
Weight	[g] 519
Inside diameter	[mm] 10
Outer diameter	[mm] 159.16
Material	wheel: aluminum; surface characteristics: PU
Tightening torque	[Nm] 3; (Mounting screw)
Surface hardness	60 Shore A
Circumference	[mm] 500
Remarks	
Pack quantity	1 pcs.