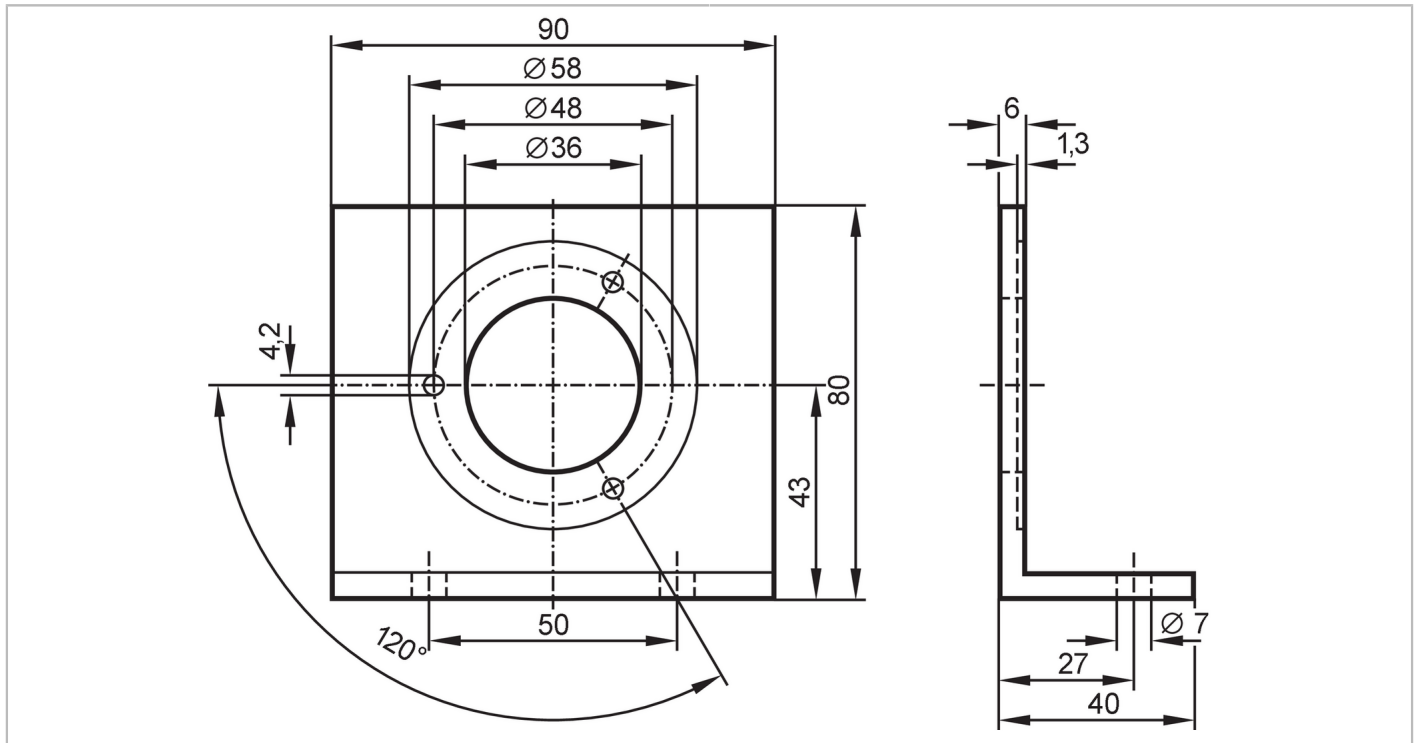


E60035



Angle flange for encoders

ANGLE BRACKET RV,RMV



Application

Design for encoders RV, RMV

Mechanical data

Weight	[g]	143.4
Dimensions	[mm]	80 x 90 x 40
Material		aluminum black anodized

Remarks

Pack quantity	1 pcs.
---------------	--------