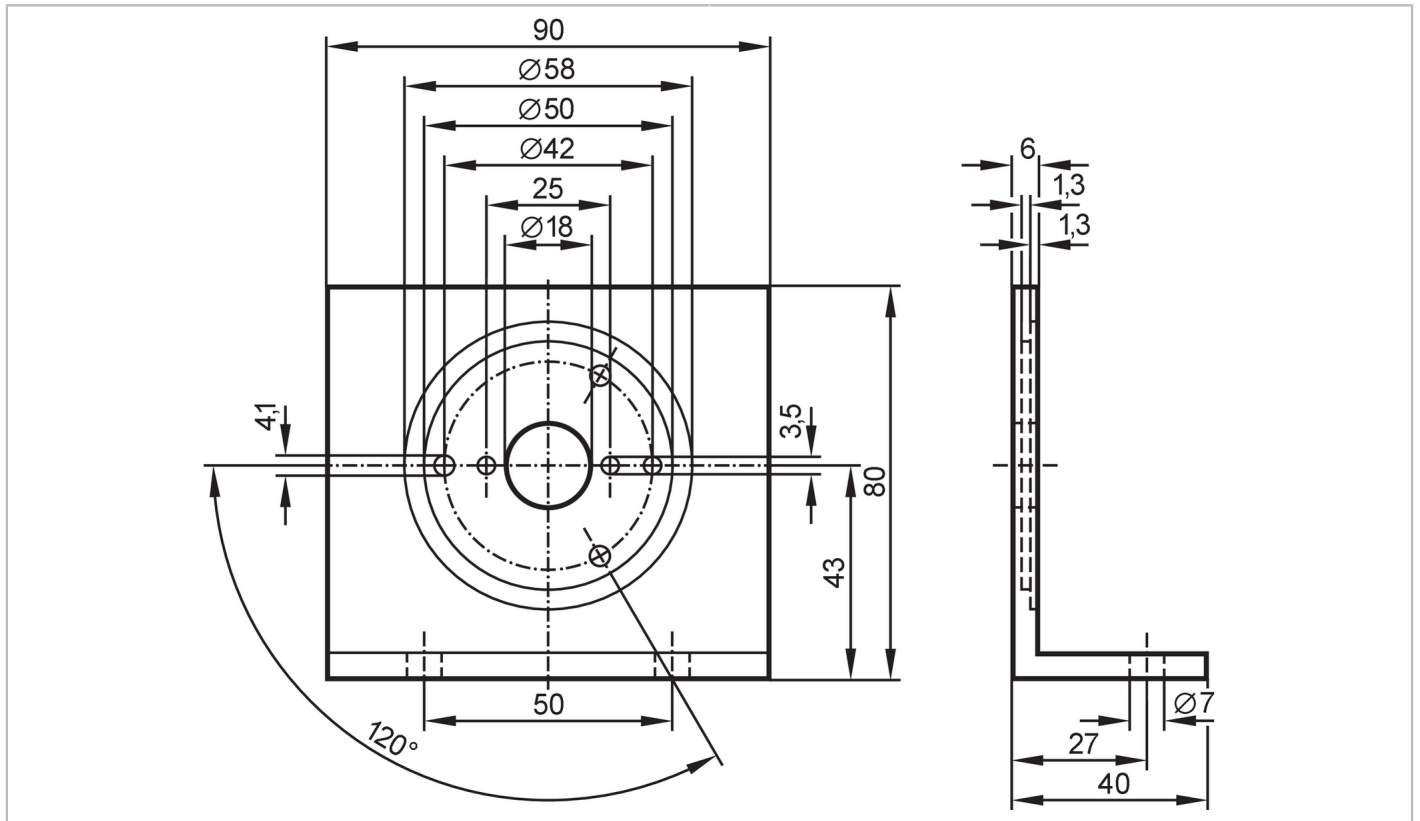


E60033



Angle flange for encoders

ANGLE BRACKET ENCODERS



Application	
Design	for encoders RB, RC, RN, RU
Mechanical data	
Weight	[g] 161
Dimensions	[mm] 80 x 90 x 40
Material	aluminum black anodized
Remarks	
Pack quantity	1 pcs.