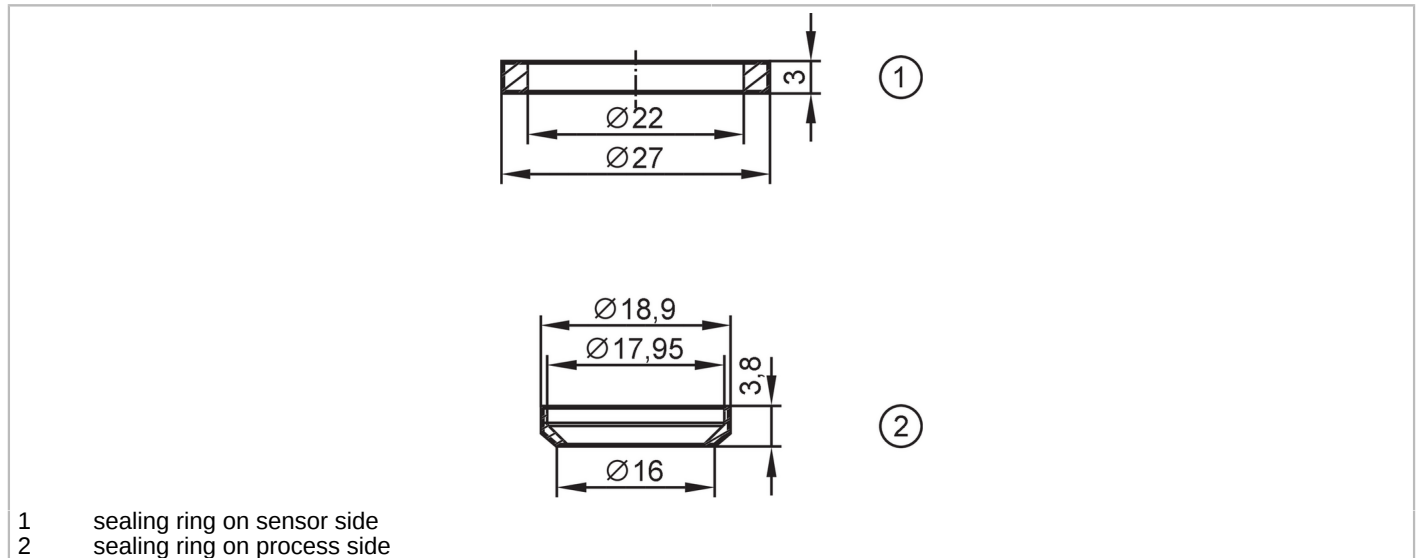


E43323



Gasket

3A LMT PEEK-RING



Application	
Design	for sealing cone G 1/2
Mechanical data	
Weight [g]	4.3
Material	sealing ring on sensor side: EPDM; sealing ring on process side: PEEK in contact with the medium
Remarks	
Pack quantity	1 pcs.