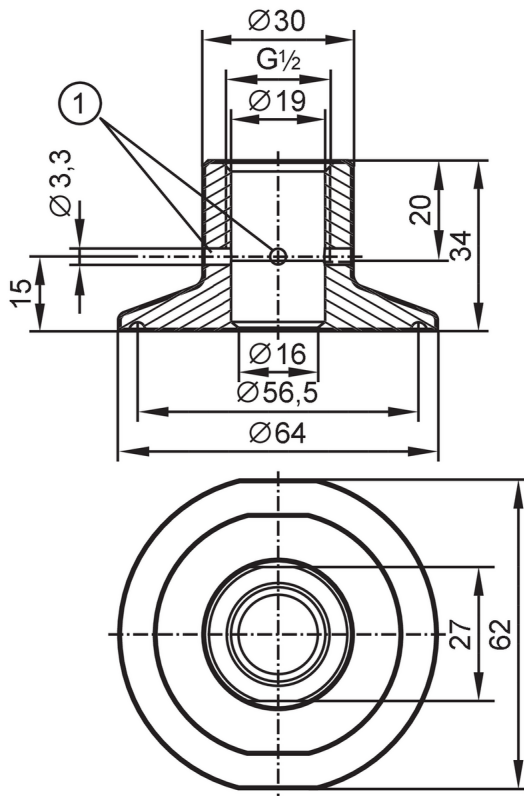


# E43312



## Process adapter Tri-Clamp

ADAPT G1/2-CLAMP (2") 3A



1 Leakage port



CRN EC 1935/2004 EHEDG Certified FCM FDA

Application	
Design	with leakage port (3A)
Pressure rating	16 bar   1.6 MPa
MAWP (for applications according to CRN) [bar]	16
Mechanical data	
Weight [g]	268
Material	process adapter: stainless steel (1.4435 / 316L) surface characteristics: Ra < 0,4 µm / Rz 4 µm
Sensor connection	G 1/2 sealing cone
Process connection	Clamp DN50 (2") DIN 32676 (ISO 2852)
Surface characteristics Ra/Rz of the wetted parts	Ra < 0.4 µm / Rz = 4 µm
Remarks	
Pack quantity	1 pcs.