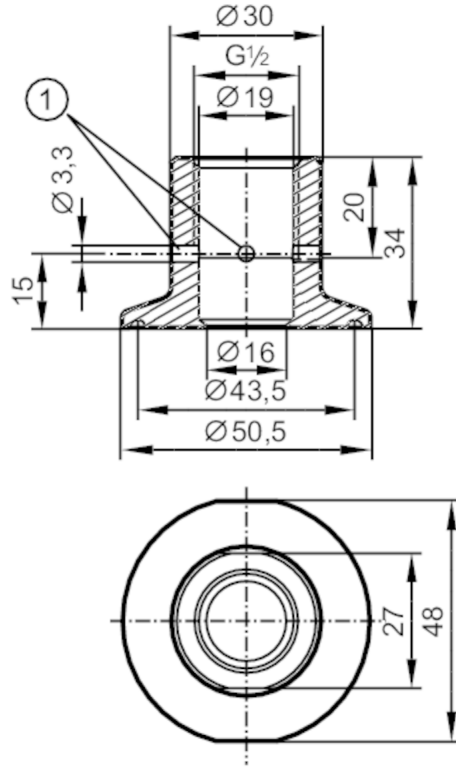


E43311



Process adapter Tri-Clamp

ADAPT G1/2-CLAMP (1") 3A



1 Leakage port



Application	
Design	with leakage port (3A)
Pressure rating	25 bar / 2.5 MPa
MAWP (for applications according to CRN) [bar]	25
Mechanical data	
Weight [g]	203
Material	stainless steel (1.4435 / 316L)
Sensor connection	G 1/2 sealing cone
Process connection	Clamp DN25...DN40 (1...1,5") DIN 32676 (ISO 2852)
Surface characteristics Ra/Rz of the wetted parts	0.4 / 4
Remarks	
Pack quantity	1 pcs.