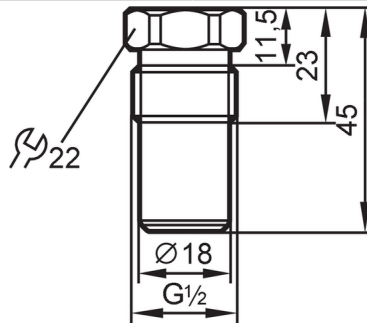


# E43308



## Cover plug for process connections

ADAPT G1/2-SEALING PLUG



EC 1935/2004 **FCM**  Hygienic  
Cleanable

### Mechanical data

Weight	[g]	163.5
Materials (wetted parts)		sealing plug: stainless steel (1.4435 / 316L) surface characteristics: Ra < 0,4 µm / Rz 4 µm
Tightening torque	[Nm]	30...50
Process connection		G 1/2 sealing cone
Surface characteristics Ra/Rz of the wetted parts		Ra < 0.4 µm / Rz = 4 µm

### Remarks

Pack quantity	1 pcs.
---------------	--------