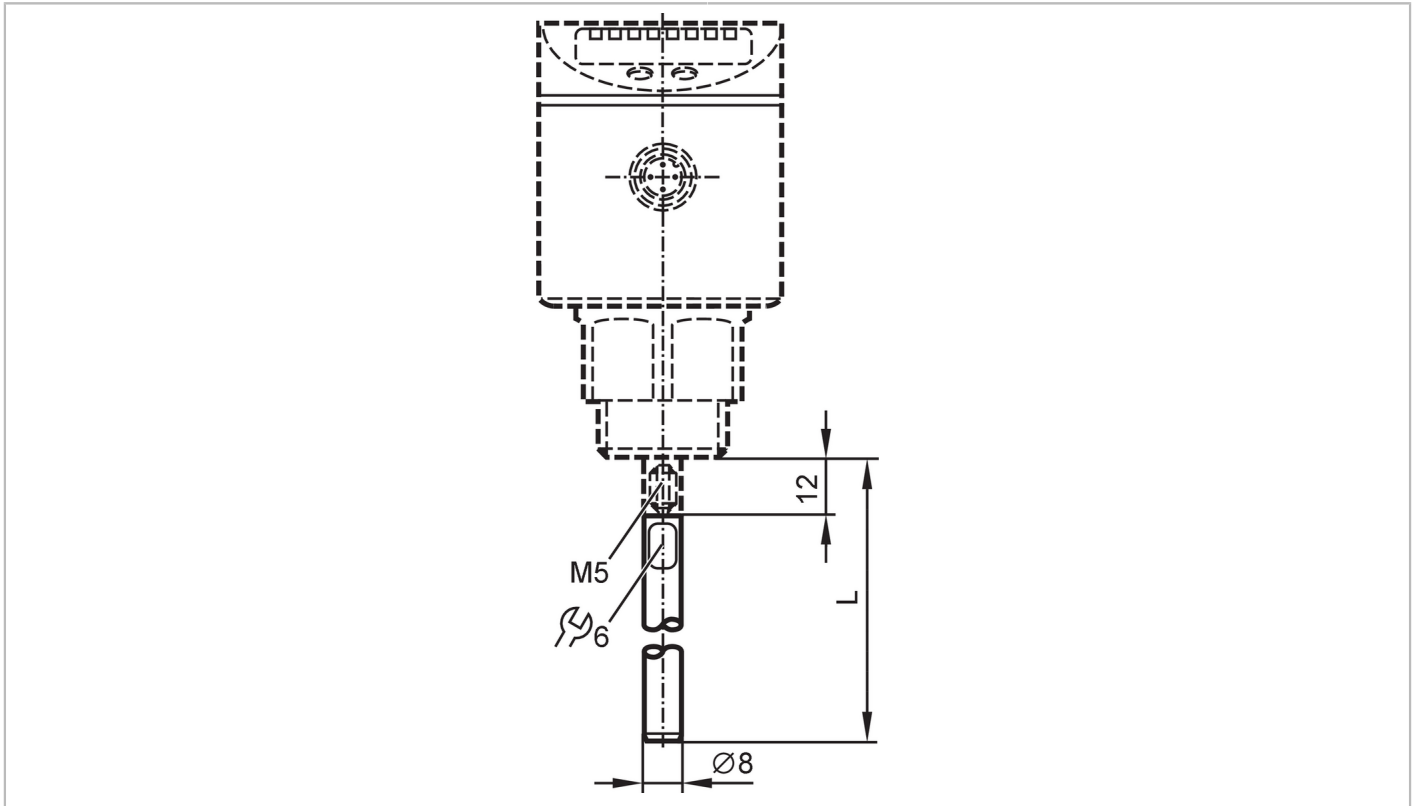


# E43207



## Probe for level sensors

LR PROBE L1000



| Application             |                                 |
|-------------------------|---------------------------------|
| Design                  | for level sensors LR            |
| Measuring/setting range |                                 |
| Probe length L [mm]     | 1000                            |
| Mechanical data         |                                 |
| Weight [g]              | 430                             |
| Material                | stainless steel (1.4404 / 316L) |
| Tightening torque [Nm]  | 4                               |
| Remarks                 |                                 |
| Pack quantity           | 1 pcs.                          |