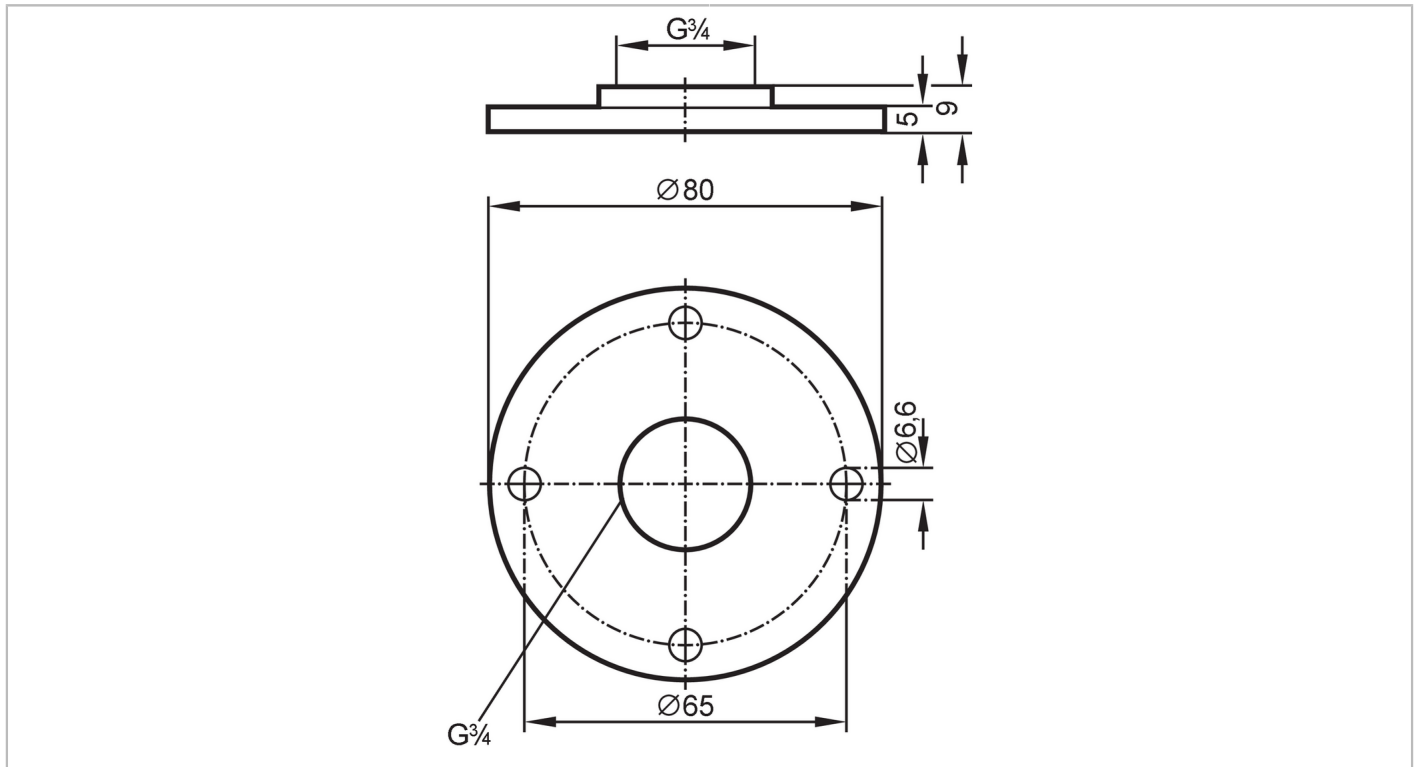


# E43202



## Flange plate for level sensors

FLANGE PLATE 65-80/G3/4



Application	
Design	for level sensors LR
Tank pressure	-1...16; (depending on the used seal) bar      -0.1...1.6; (depending on the used seal) MPa
Mechanical data	
Weight [g]	196.4
Material	flange: stainless steel (1.4305 / 303)
Tightening torque [Nm]	6...9
Sensor connection	threaded connection G 3/4 Internal thread
Process connection	flange Ø 80 mm
Remarks	
Pack quantity	1 pcs.