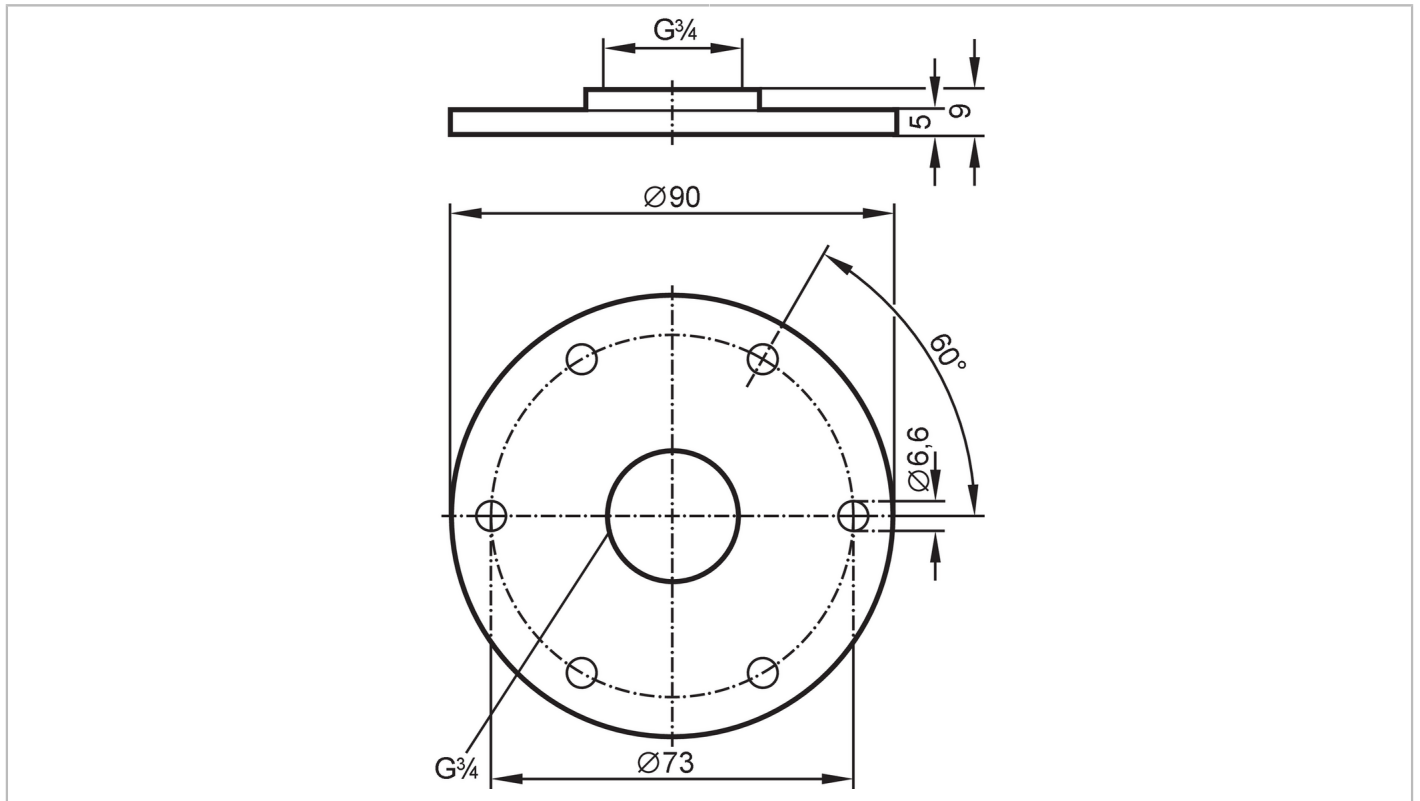


E43201



Flange plate for level sensors

FLANGE PLATE 73-90/G3/4



Application	
Design	for level sensors LR
Installation	according to DIN 24557
Tank pressure	-1...16 bar -0.1...1.6 MPa
Operating conditions	
Ambient temperature [°C]	0...80
Mechanical data	
Weight [g]	257.3
Type of mounting	according to DIN 24557
Material	flange: stainless steel (1.4305 / 303); sealing: NBR
Tightening torque [Nm]	6...9
Sensor connection	threaded connection G 3/4 Internal thread
Process connection	flange Ø 90 mm
Remarks	
Pack quantity	1 pcs.