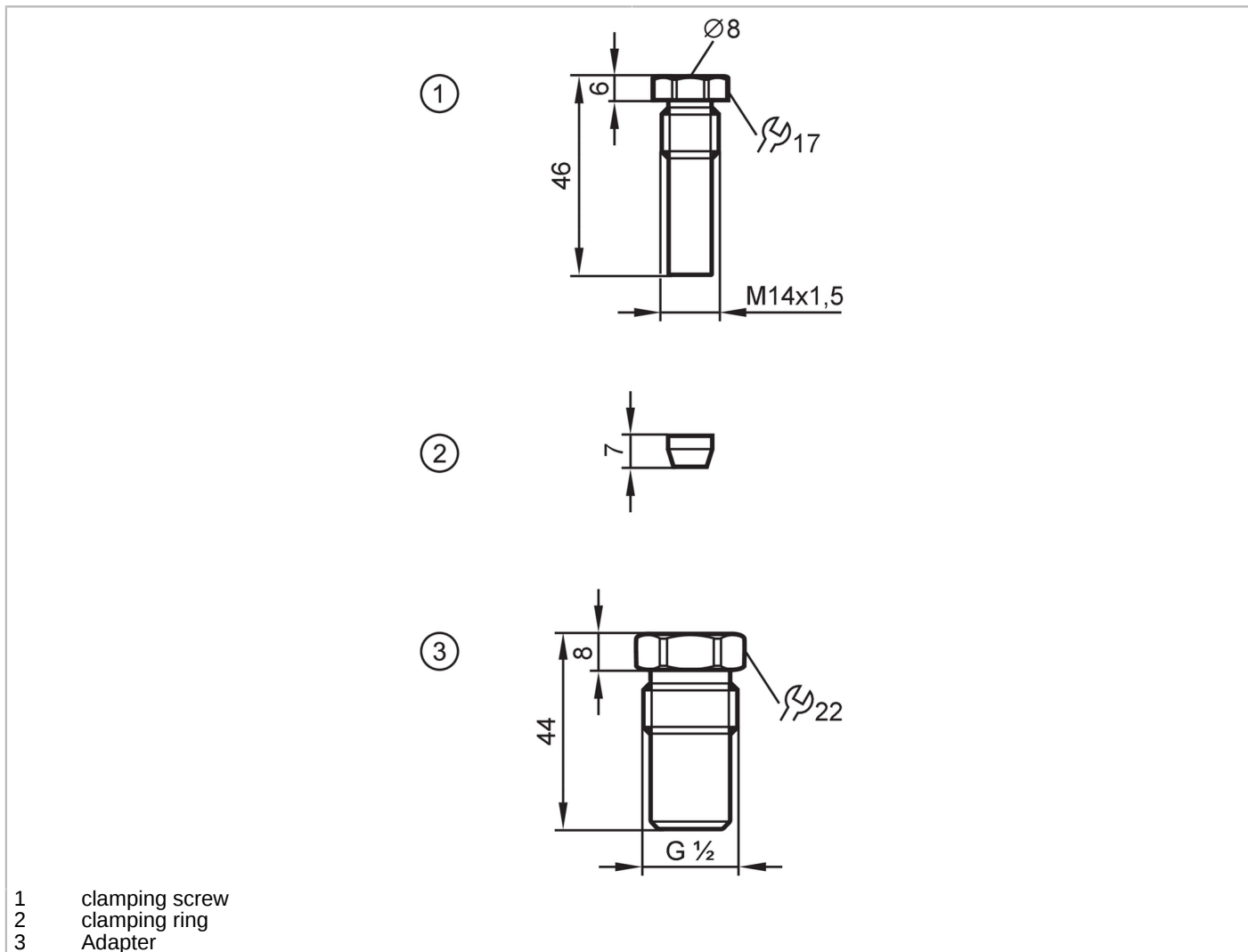


# E43020



## Clamp fitting for process sensors

G 1/2" COMPRESSION FITTING 8MM



EC 1935/2004 FCM FDA

| Application              |  |
|--------------------------|--|
| Application              | hygienic systems                                     |
| Installation             | Clamp fitting  |
| Media                    | viscous media and liquids with suspended particles   |
| Pressure rating          | 10 bar   1 MPa                                       |
| No dead space            | yes  |
| Operating conditions     |  |
| Ambient temperature [°C] | -10...150  |
| Mechanical data          |  |
| Weight [g]               | 100  |
| Material                 | stainless steel (1.4404 / 316L); clamping ring: PEEK |
| Tightening torque [Nm]   | < 10; (Adapter; 10 ± 1 Clamp adapter)                |
| Sensor connection        | Ø 8 mm   |
| Process connection       | threaded connection G 1/2 sealing cone               |

# E43020



## Clamp fitting for process sensors

G 1/2" COMPRESSION FITTING 8MM

| Remarks       |        |
|---------------|--------|
| Pack quantity | 1 pcs. |