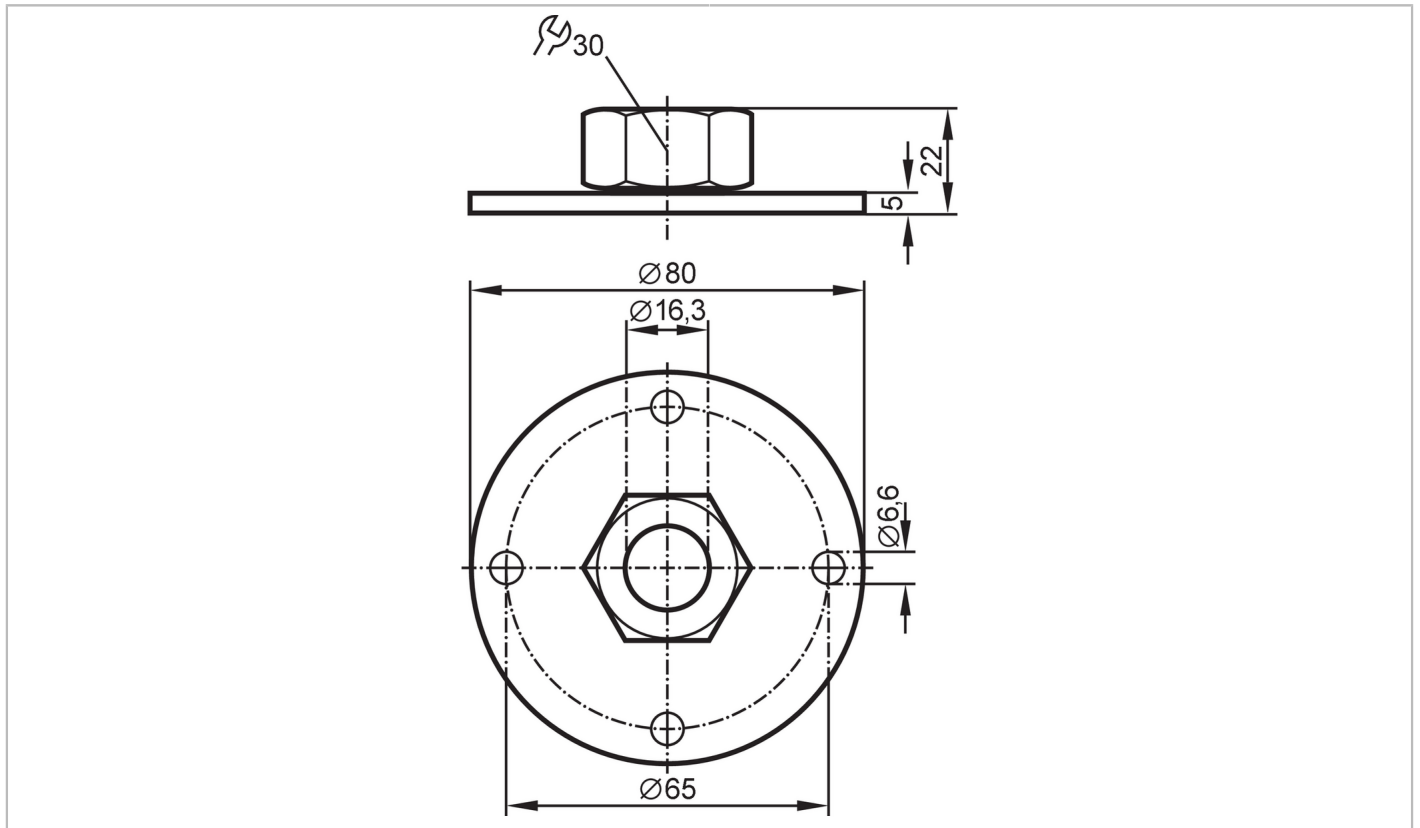


# E43006



## Flange plate for level sensors

FLANGE PLATE 65-80 D16



Application	
Design	for capacitive level sensors LK, LI, LT, LL
Pressure rating	0.5 bar 0.05 MPa
Mechanical data	
Weight [g]	144.5
Material	flange: aluminum anodized; knurled nut: stainless steel; Spacer: brass; clamping ring: FKM
Tightening torque [Nm]	6...9
Sensor connection	Clamp fitting Ø 16 mm
Process connection	flange
Remarks	
Pack quantity	1 pcs.