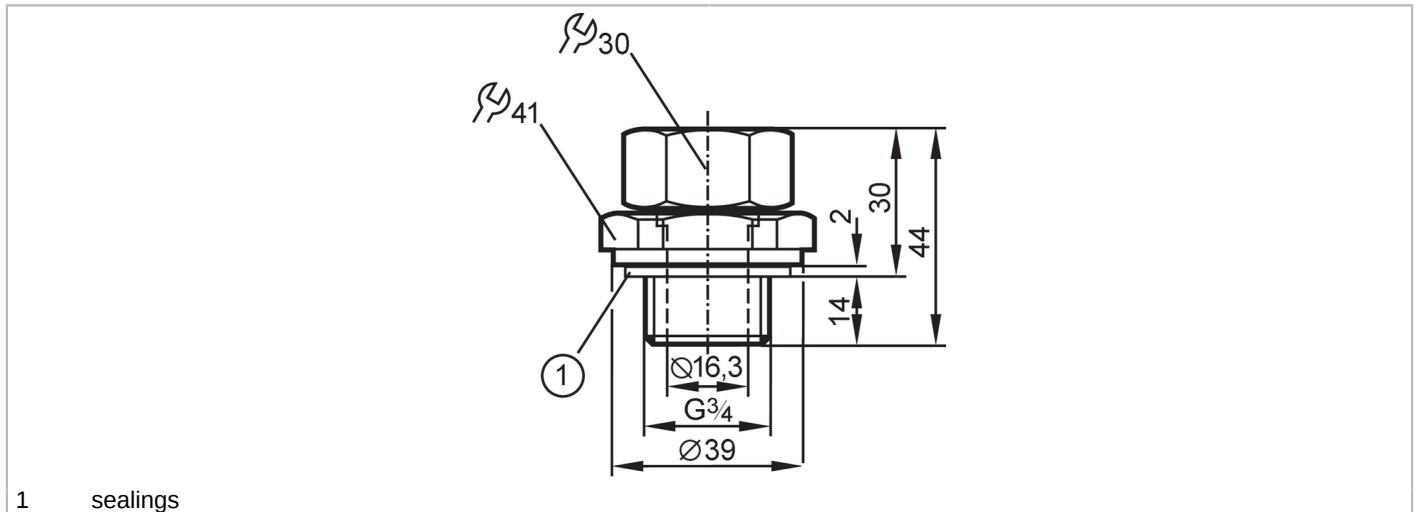


E43003



Clamp fitting for process sensors

MOUNTING ADAPTER G3/4



1 sealings

Application	
Design	for capacitive level sensors LK, LI, LT, LL
Installation	Clamp fitting
Pressure rating	0.5 bar 0.05 MPa
Operating conditions	
Ambient temperature [°C]	0...80
Mechanical data	
Weight [g]	250
Dimensions [mm]	Ø 39 / L = 44
Material	flange: stainless steel; knurled nut: stainless steel; Spacer: brass; clamping ring: FKM; sealing: Tesnit
Tightening torque [Nm]	6...9
Sensor connection	Ø 16 mm
Process connection	threaded connection G 3/4 external thread
Remarks	
Pack quantity	1 pcs.