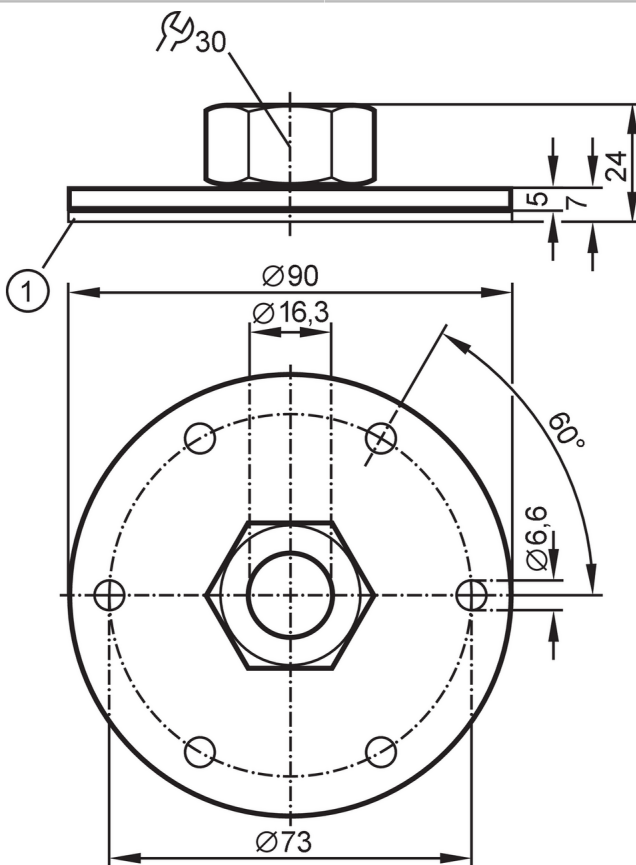


# E43001



## Flange plate for level sensors

FLANGE PLATE 73-90 D16



1 sealings

Application	
Design	for capacitive level sensors LK, LI, LT, LL
Installation	according to DIN 24557
Pressure rating	0.5 bar 0.05 MPa
Operating conditions	
Ambient temperature [°C]	0...80
Mechanical data	
Weight [g]	183
Type of mounting	according to DIN 24557
Material	aluminum anodized; knurled nut: stainless steel; Spacer: brass; clamping ring: FKM; sealing: NBR
Tightening torque [Nm]	6...9
Sensor connection	Clamp fitting Ø 16 mm
Process connection	flange
Remarks	
Pack quantity	1 pcs.