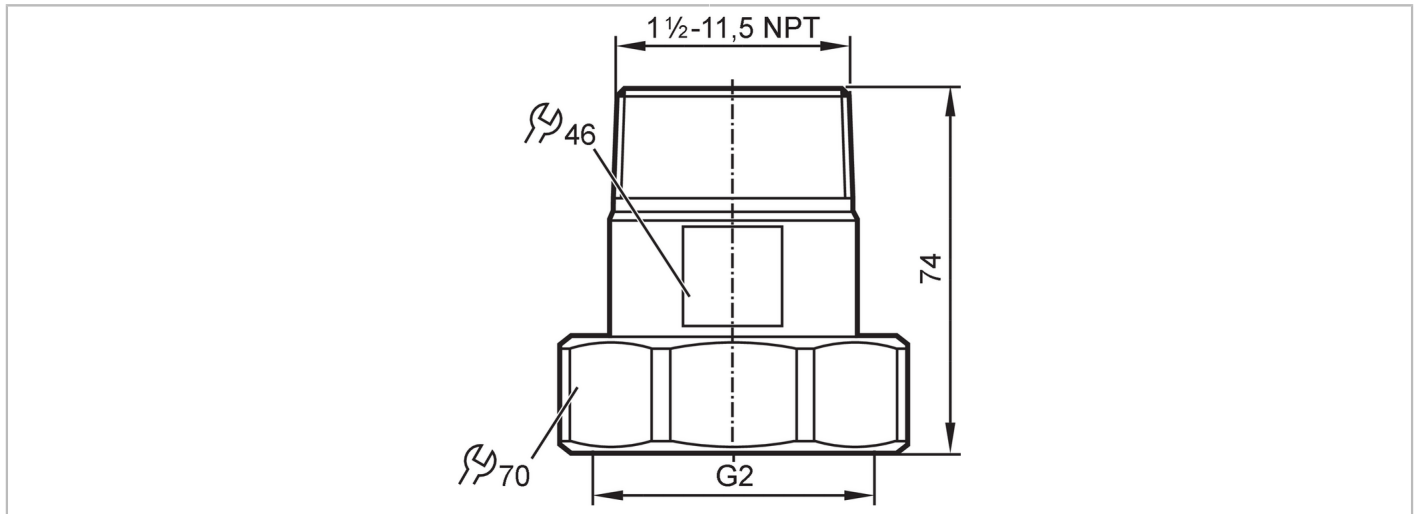


E40229



Mounting adapter for flow sensors

ADAPT /SM/1/NPT 1 1/2



CRN

Application	
Design	for flow sensors Typ SM2, SM9
Pressure rating	16 bar 1.6 MPa
MAWP (for applications according to CRN) [bar]	16
Tests / approvals	
Pressure equipment directive	A possible classification to PED depends on the application and has to be carried out by the user / operator.
Safety instructions	The compatibility between medium and product material has to be checked in all applications.
Mechanical data	
Weight [g]	1408
Material	Adapter: stainless steel (1.4571/316Ti); Gasket: Centellen 55 x 43 x 3 mm
Sensor connection	G 2
Process connection	threaded connection 1 1/2" NPT
Accessories	
Items supplied	sealing rings: 2
Remarks	
Pack quantity	2 pcs.