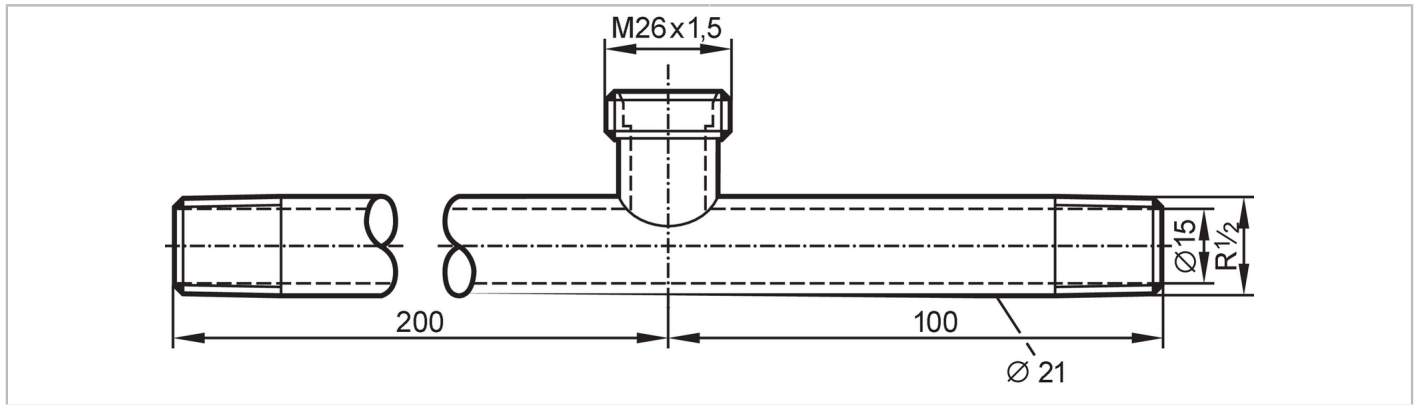


E40136



T-piece

T-PIECE R1/2-M26X1.5-R1/2



Application	
Design	for sensors and adapters with process connection M26x1,5
Flow range [l/min]	0...10
Application	for industrial applications
Media	liquids and gases
Pressure rating	30 bar 3 MPa
Tests / approvals	
Pressure equipment directive	A possible classification to PED depends on the application and has to be carried out by the user / operator.
Safety instructions	The compatibility between medium and product material has to be checked in all applications.
Mechanical data	
Weight [g]	524.5
Materials (wetted parts)	housing: stainless steel (1.4404 / 316L)
Sensor connection	M26 x 1,5
Process connection	threaded connection R 1/2
Accessories	
Accessories (optional)	Adapter: 1 x M18 x 1,5, for direct connection of flow sensors, E40104
Remarks	
Pack quantity	1 pcs.