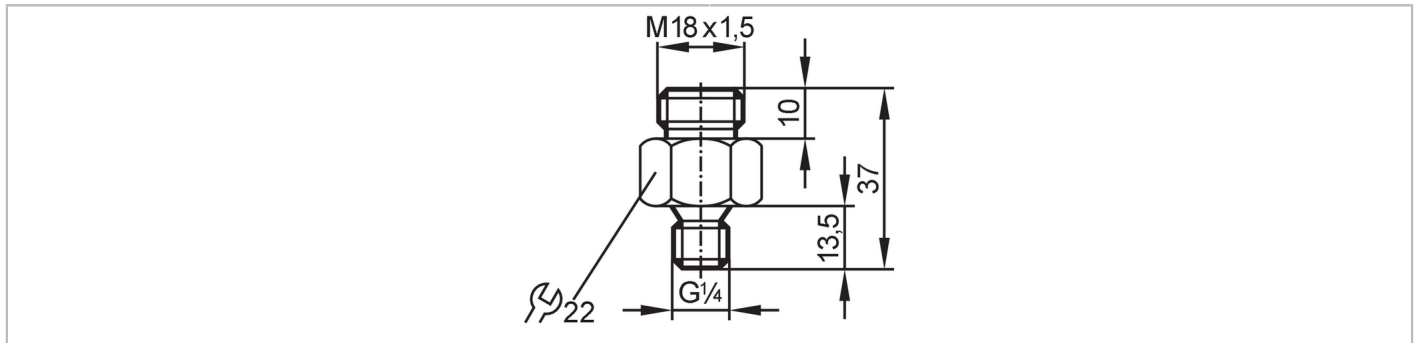


E40099



Screw-in adapter for process sensors

Adapter SI1/G1/4/VA



CRN

Application	
Application	for industrial applications
Media	liquids and gases
Pressure rating	100 bar 10 MPa
Tests / approvals	
Pressure equipment directive	A possible classification to PED depends on the application and has to be carried out by the user / operator.
Safety instructions	The compatibility between medium and product material has to be checked in all applications.
Mechanical data	
Weight [g]	60.6
Dimensions [mm]	M18 x 1.5
Thread designation	M18 x 1.5
Material	stainless steel (1.4404 / 316L)
Sensor connection	M18 x 1,5 Internal thread
Process connection	threaded connection G 1/4
Insertion depth [mm]	13.5; (Measuring probes SID, SFD, TN)
Accessories	
Items supplied	sealings: 1, AFM
Remarks	
Remarks	In applications >30 bar use a suitable high-pressure adapter. In drinking water applications, replace the supplied gaskets by gaskets suitable for the application.
Pack quantity	1 pcs.