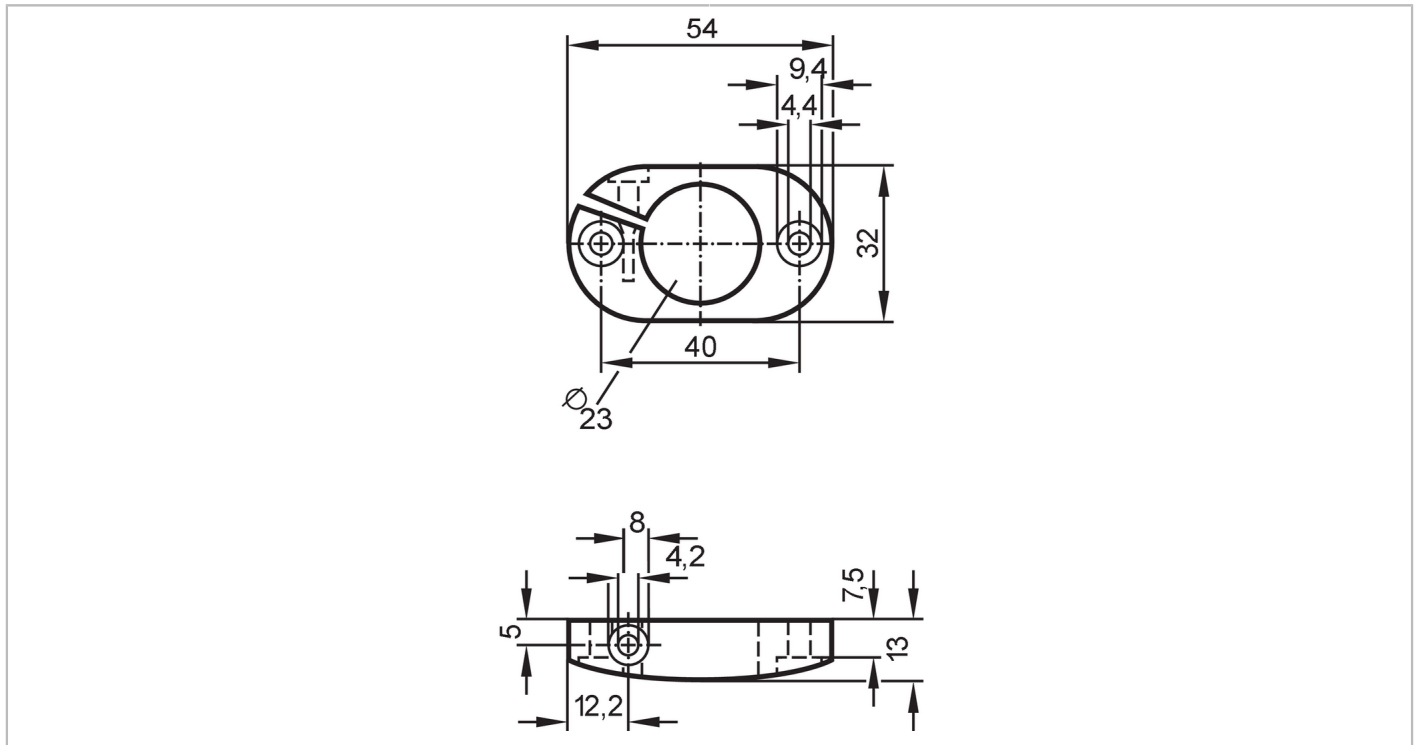


# E40048



## Mounting clamp for airflow monitors

MOUNTING CLAMP SLG



Application	
Design	for SLG airflow monitor
Mechanical data	
Weight [g]	16
Dimensions [mm]	13 x 54 x 32
Inside diameter [mm]	23
Material	Mounting clamp: PBT
Remarks	
Pack quantity	1 pcs.

# E40048



## Mounting clamp for airflow monitors

MOUNTING CLAMP SLG

### Diagrams and graphs

#### Installation

