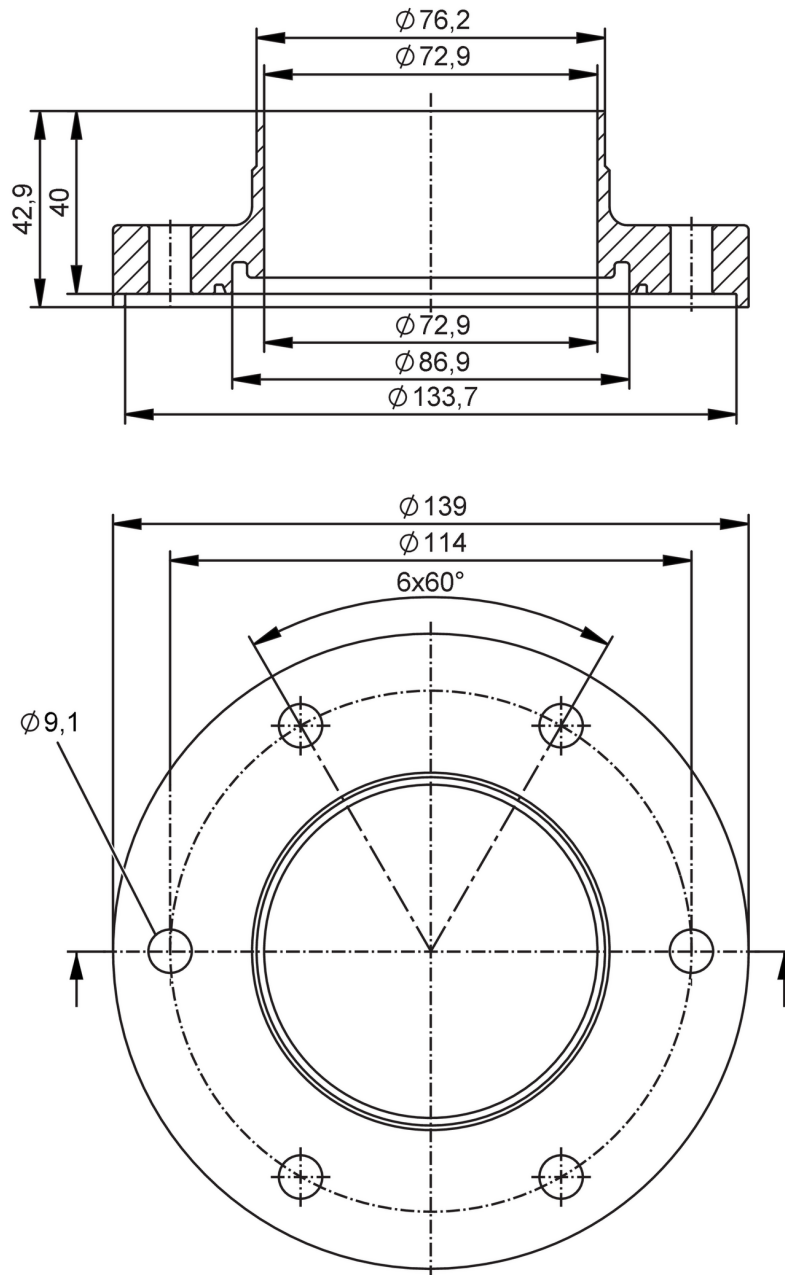


E40625



Welding adapters EN10357 series C (ASME BPE)

ADAPT EN10357-C DN80



EC 1935/2004

FCM



Hygienic Cleanable

Application

Design	for flow meter SMF	
Application	food and beverage industry; hygienic systems	
Pressure rating	25 bar	2.5 MPa

Tests / approvals

Pressure equipment directive	A possible classification to PED depends on the application and has to be carried out by the user / operator.	
Safety instructions	The compatibility between medium and product material has to be checked in all applications.	

E40625



Welding adapters EN10357 series C (ASME BPE)

ADAPT EN10357-C DN80

Mechanical data	
Weight [g]	3845.3
Housing	tubular
Dimensions [mm]	Ø 139 / L = 42.9
Materials (wetted parts)	stainless steel (1.4404 / 316L)
Nominal diameter	DN80 (3")
Sensor connection	ifm-specific device flange
Process connection	Welding adapter EN10357 series C (ASME BPE)
Process connection suitable for pipe standard	(DIN EN 10357 series C); (DIN EN 10357 series D); (DIN 11866 series C); (BS 4825 Part 1); (ISO 2037)
Surface characteristics Ra/Rz of the wetted parts	Ra < 0.4 µm
Accessories	
Items supplied	screws 12
Remarks	
Pack quantity	2 pcs.