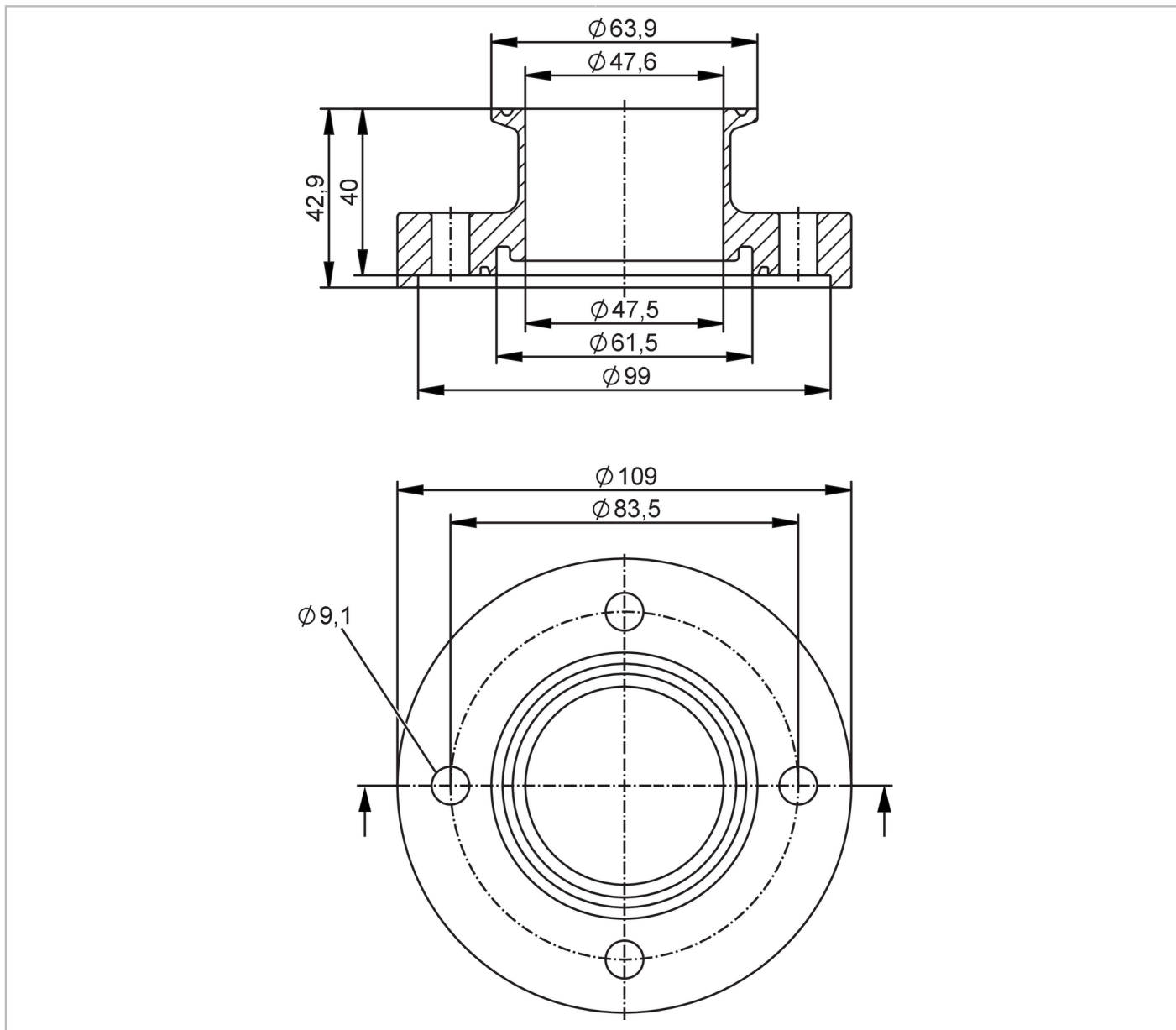


# E40613



## Process adapters clamp DIN 32676 series C (ASME BPE)

ADAPT DIN32676-C DN50



Application	
Design	for flow meter SMF
Application	food and beverage industry; hygienic systems
Pressure rating	16 bar 1.6 MPa
Tests / approvals	
Pressure equipment directive	A possible classification to PED depends on the application and has to be carried out by the user / operator.
Safety instructions	The compatibility between medium and product material has to be checked in all applications.
Mechanical data	
Weight	[g] 2611.2
Housing	tubular

# E40613



## Process adapters clamp DIN 32676 series C (ASME BPE)

ADAPT DIN32676-C DN50

Dimensions	[mm]	Ø 109 / L = 42.9
Material		stainless steel (1.4404 / 316L)
Nominal diameter		DN50 (2")
Sensor connection		ifm-specific device flange
Process connection		Clamp DIN 32676 series C (ASME BPE)
Process connection suitable for pipe standard		(DIN EN 10357 series C); (DIN 11866 series C); (BS 4825 Part 1)
Surface characteristics Ra/Rz of the wetted parts		Ra < 0.4 µm
<b>Accessories</b>		
Items supplied		screws 8
<b>Remarks</b>		
Pack quantity		2 pcs.