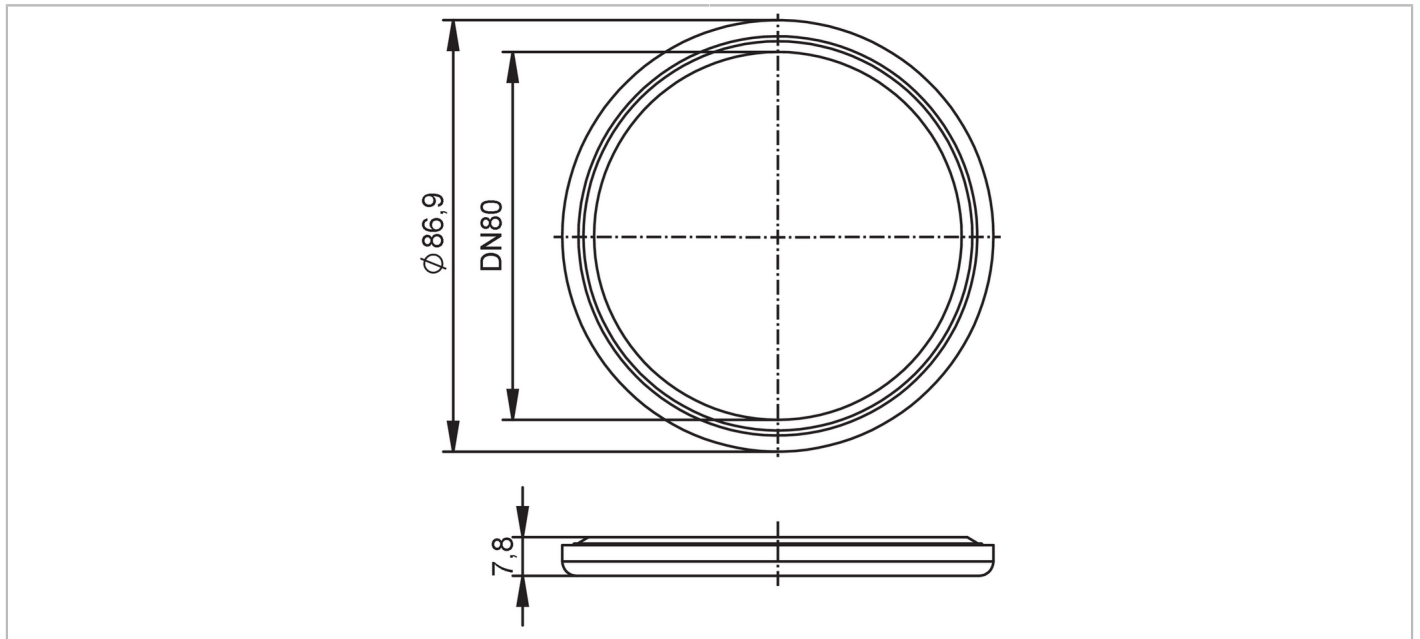


# E40575



## Gasket

SEAL RING VMQ DN80



EC 1935/2004

FCM



Hygienic  
Cleanable

Application	
Design	for flow meter SMF
Application	food and beverage industry; hygienic systems
Medium temperature [°C]	-20...150
Mechanical data	
Weight [g]	23.7
Housing	circular
Inside diameter [mm]	74.1
Outer diameter [mm]	86.9
Material	VMQ (silicone)
Nominal diameter	DN80 (3")
Remarks	
Pack quantity	2 pcs.