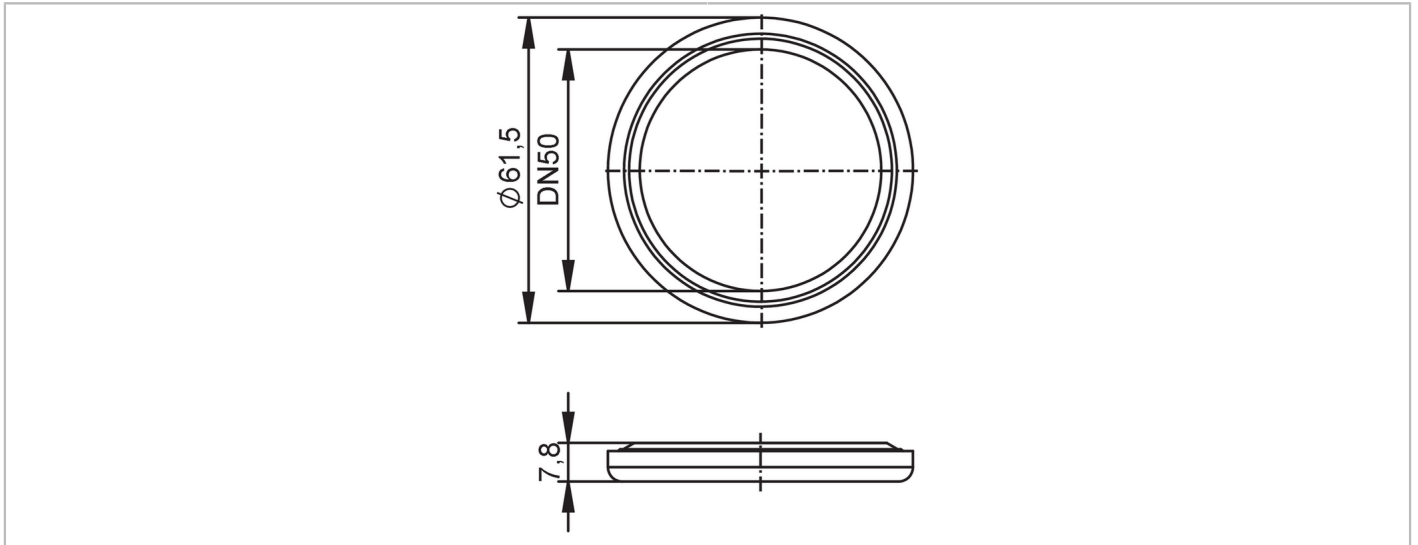


E40573



Gasket

SEAL RING VMQ DN50



EC 1935/2004 FCM FDA

Application	
Design	for flow meter SMF
Application	food and beverage industry; hygienic systems
Medium temperature [°C]	-20...150
Mechanical data	
Weight [g]	15.55
Housing	circular
Inside diameter [mm]	48.7
Outer diameter [mm]	61.5
Material	VMQ (silicone)
Nominal diameter	DN50 (2")
Remarks	
Pack quantity	2 pcs.