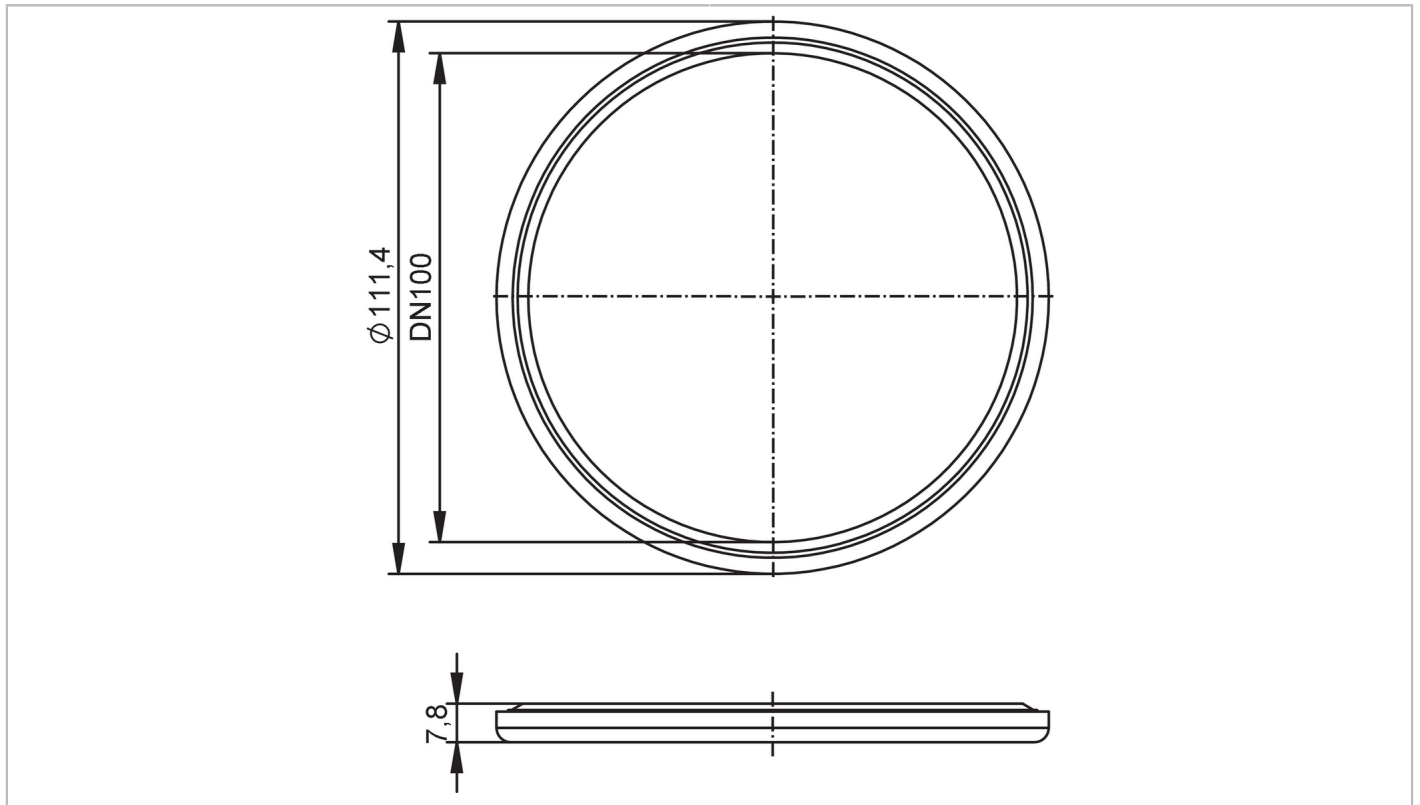


# E40566



## Gasket

SEAL RING EPDM DN100



EC 1935/2004 FCM



Application	
Design	for flow meter SMF
Application	food and beverage industry; hygienic systems
Medium temperature [°C]	-20...150
Mechanical data	
Weight [g]	27.3
Housing	circular
Inside diameter [mm]	98.6
Outer diameter [mm]	111.4
Material	EPDM
Nominal diameter	DN100 (4")
Remarks	
Pack quantity	2 pcs.