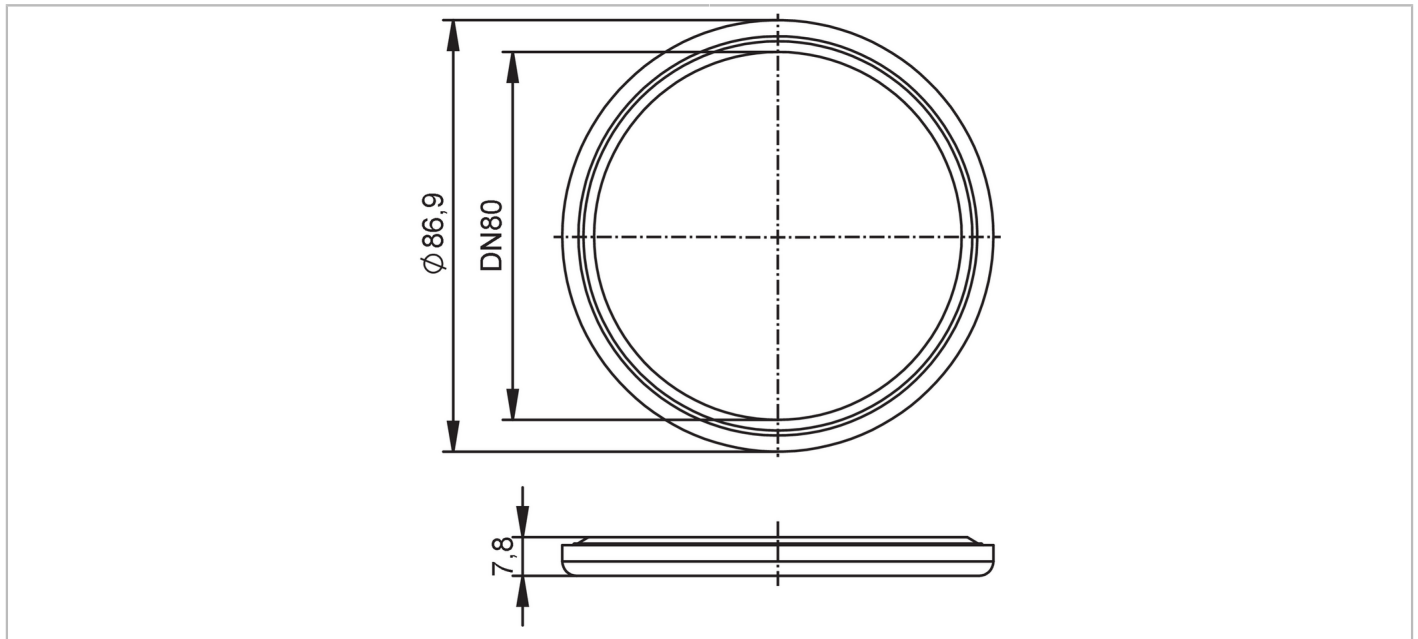


# E40565



## Gasket

SEAL RING EPDM DN80



EC 1935/2004

FCM



Hygienic  
Cleanable

| Application             |  |
|-------------------------|--|
| Design                  | for flow meter SMF                           |
| Application             | food and beverage industry; hygienic systems |
| Medium temperature [°C] | -20...150                                    |
| Mechanical data         |  |
| Weight [g]              | 22.2   |
| Housing                 | circular                                     |
| Inside diameter [mm]    | 74.1   |
| Outer diameter [mm]     | 86.9   |
| Material                | EPDM   |
| Nominal diameter        | DN80 (3")                                    |
| Remarks                 |  |
| Pack quantity           | 2 pcs.                                       |