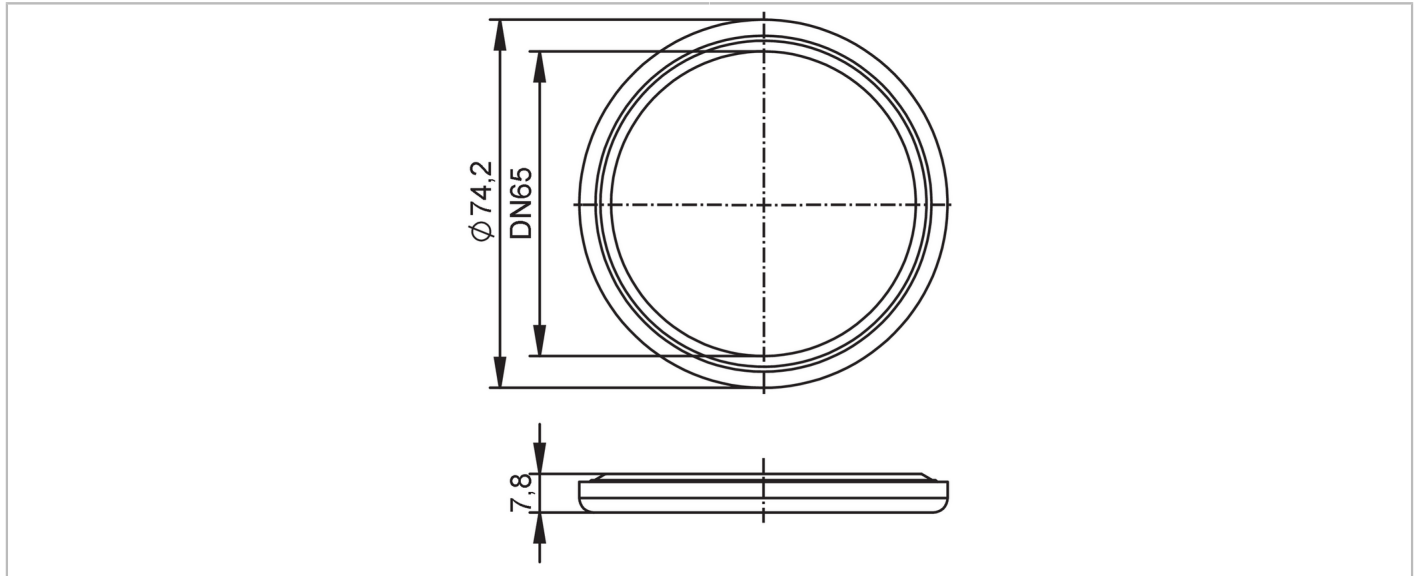


E40564



Gasket

SEAL RING EPDM DN65



EC 1935/2004 FCM FDA

Application	
Design	for flow meter SMF
Application	food and beverage industry; hygienic systems
Medium temperature [°C]	-20...150
Mechanical data	
Weight [g]	19.6
Housing	circular
Inside diameter [mm]	61.4
Outer diameter [mm]	74.2
Material	EPDM
Nominal diameter	DN65 (2 1/2")
Remarks	
Pack quantity	2 pcs.