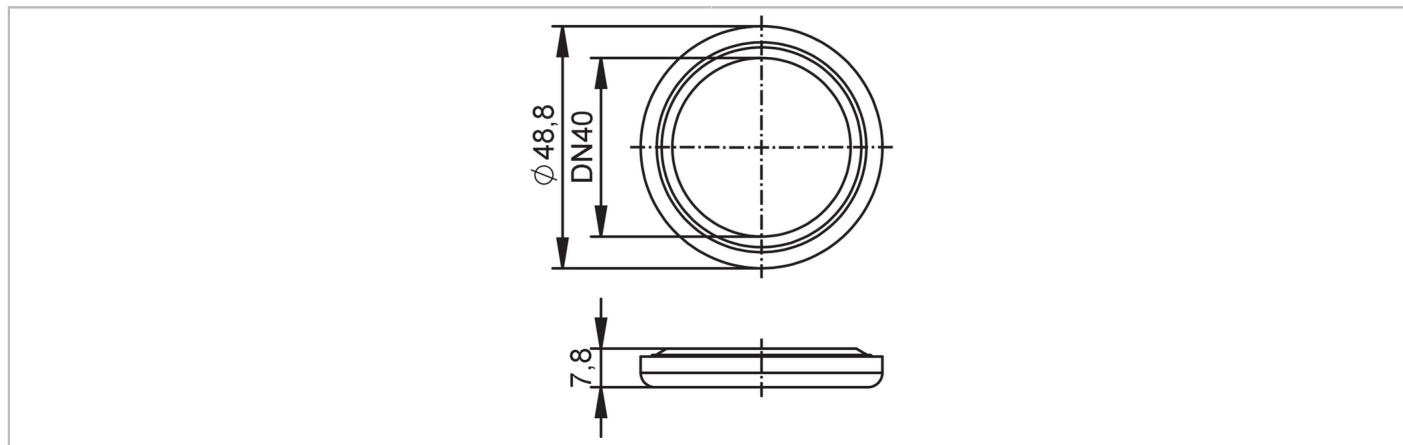


E40562



Gasket

SEAL RING EPDM DN40



EC 1935/2004 FCM FDA

Application	
Design	for flow meter SMF
Application	food and beverage industry; hygienic systems
Medium temperature [°C]	-20...150
Mechanical data	
Weight [g]	11.7
Housing	circular
Inside diameter [mm]	36
Outer diameter [mm]	48.8
Material	EPDM
Nominal diameter	DN40 (1 1/2")
Remarks	
Pack quantity	2 pcs.