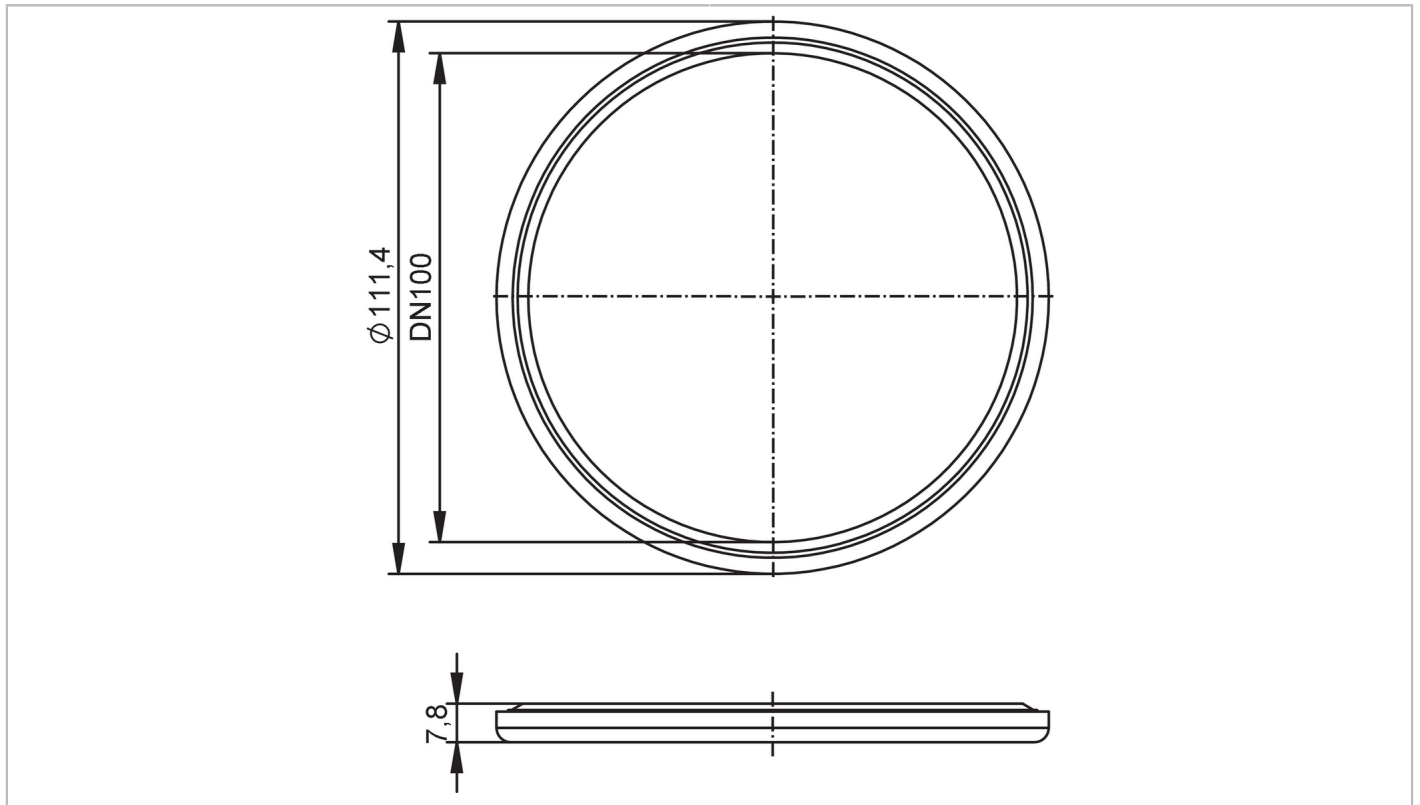


E40546



Gasket

SEAL RING FKM DN100



EC 1935/2004

FCM



Hygienic
Cleanable

Application

Design	for flow meter SMF
Application	food and beverage industry; hygienic systems
Medium temperature [°C]	0...150

Mechanical data

Weight [g]	46.35
Housing	circular
Inside diameter [mm]	98.6
Outer diameter [mm]	111.4
Material	FKM
Nominal diameter	DN100 (4")

Remarks

Pack quantity	2 pcs.
---------------	--------