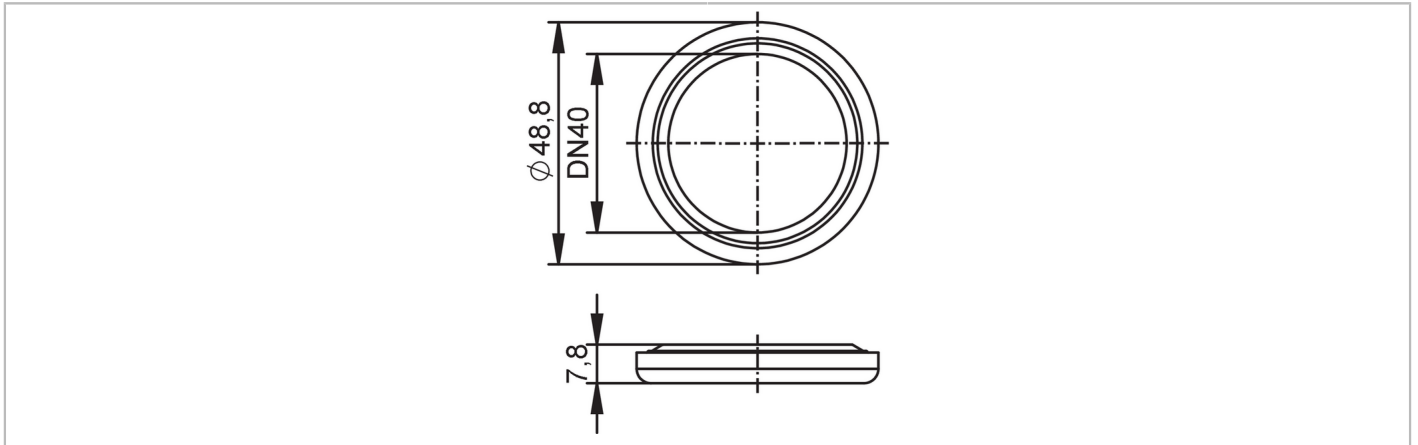


E40542



Gasket

SEAL RING FKM DN40



EC 1935/2004 FCM FDA

Application	
Design	for flow meter SMF
Application	food and beverage industry; hygienic systems
Medium temperature [°C]	0...150
Mechanical data	
Weight [g]	19.2
Housing	circular
Inside diameter [mm]	36
Outer diameter [mm]	48.8
Material	FKM
Nominal diameter	DN40 (1 1/2")
Remarks	
Pack quantity	2 pcs.