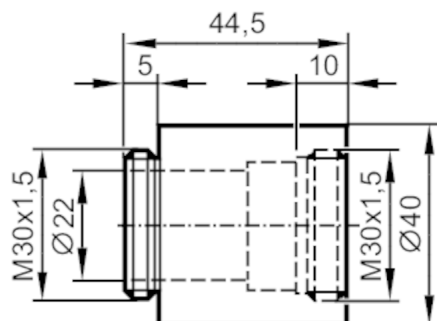


E35067



Insulating tube for infrared temperature sensors

THERM INSULATING



Application

Design	for infrared temperature sensors TWxxxx, M30
Installation	Thermal insulation; (TW)

Mechanical data

Weight	[g]	48
Material		POM

Remarks

Pack quantity	1 pcs.
---------------	--------