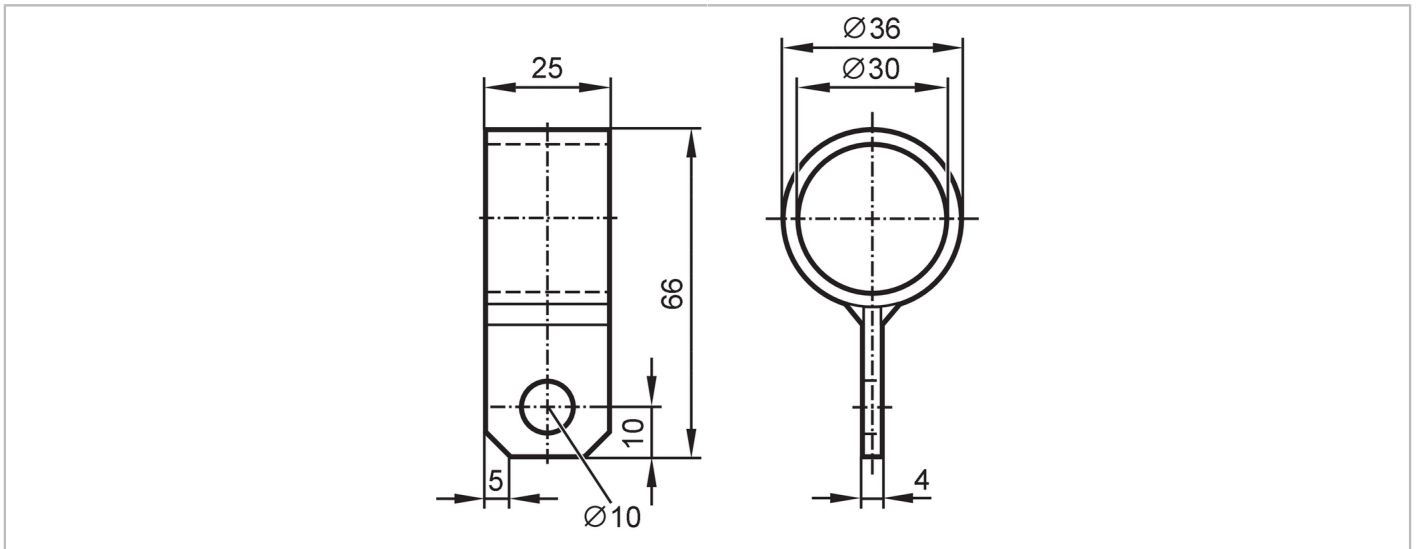


# E35065



## Mounting bracket

MOUNTING BRACKETS



### Application

Design for types M30

### Mechanical data

Weight	[g]	81.5
Inside diameter	[mm]	30
Material	steel (1.0037 / S235JR) galvanized	

### Remarks

Pack quantity 1 pcs.