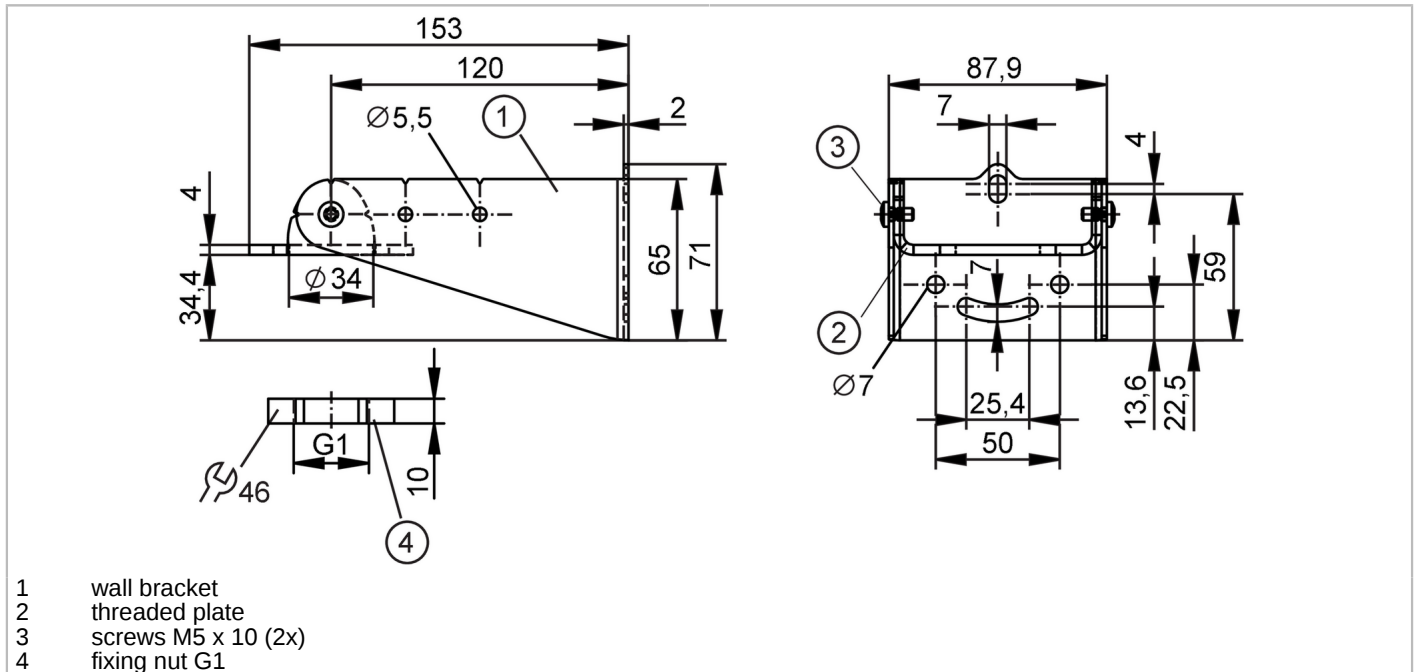


# E33706



## Mounting set for LW2XXX

MOUNTING SET/LW/G1



Application	
Design	for LW2xxx sensors
Mechanical data	
Weight [g]	562.9
Dimensions [mm]	71 x 87.9 x 153
Material	stainless steel (1.4404 / 316L)
Sensor connection	G 1
Accessories	
Items supplied	wall and ceiling bracket Locknut
Remarks	
Pack quantity	1 pcs.