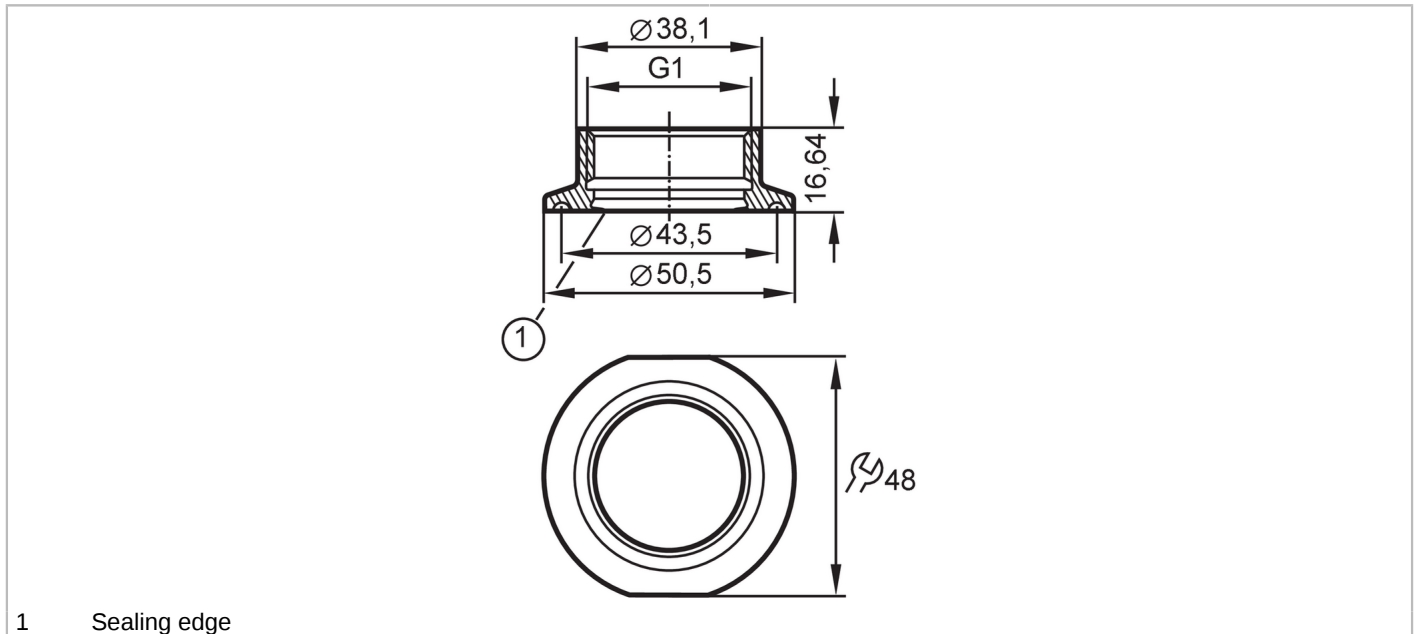


E33701



Process adapter Tri-Clamp

ADAPT IFM-CLAMP ISO2852 1-1.5"



CRN EC 1935/2004 FCM FDA

Application		
Pressure rating	16 bar	1.6 MPa
MAWP (for applications according to CRN) [bar]	16	
Tests / approvals		
Pressure equipment directive	A possible classification to PED depends on the application and has to be carried out by the user / operator.	
Safety instructions	The compatibility between medium and product material has to be checked in all applications.	
Mechanical data		
Weight [g]	101	
Materials (wetted parts)	stainless steel (1.4435 / 316L) surface characteristics: Ra < 0,4 µm / Rz = 4 µm	
Sensor connection	G 1 Internal thread Aseptoflex Vario	
Process connection	Clamp DN25...DN40 (1...1,5") Ø 50.5 mm DIN 32676 (ISO 2852)	
Sealing	metal to metal	
Hygienic equipment class to DIN 11866	H4	
Remarks		
Pack quantity	1 pcs.	