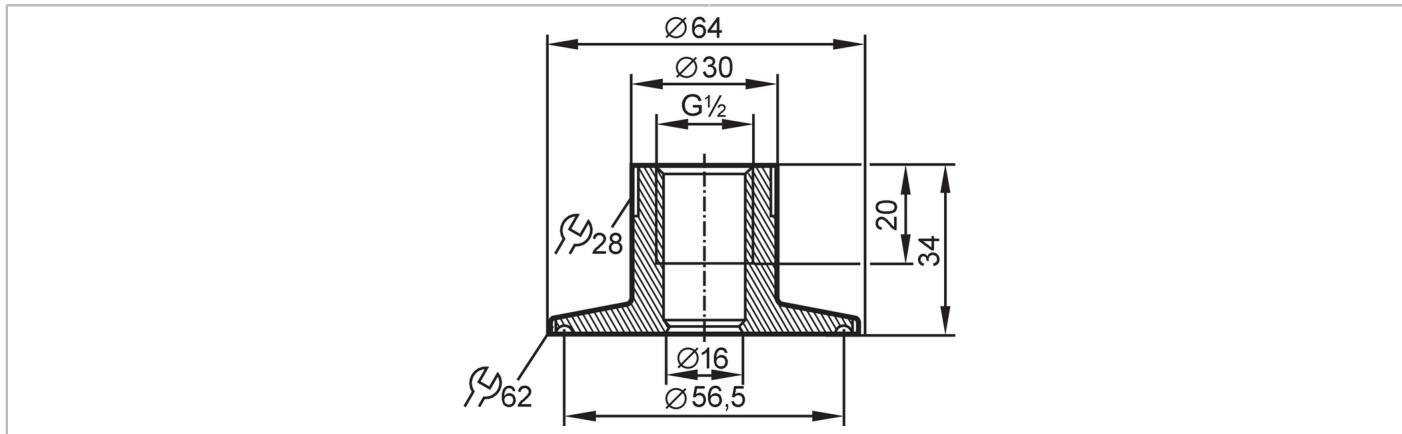


E33402



Process adapter Tri-Clamp

ADAPT G1/2-CLAMP DIN32676/2



CRN EC 1935/2004 FCM FDA Hygienic Cleanable

Application		
Pressure rating	16 bar	1.6 MPa
MAWP (for applications according to CRN) [bar]	16	
Tests / approvals		
Pressure equipment directive	A possible classification to PED depends on the application and has to be carried out by the user / operator.	
Safety instructions	The compatibility between medium and product material has to be checked in all applications.	
Mechanical data		
Weight [g]	269	
Material	stainless steel (1.4435 / 316L)	
Sensor connection	G 1/2 sealing cone	
Process connection	Clamp DN50 (2") DIN 32676 (ISO 2852)	
Surface characteristics Ra/Rz of the wetted parts	Ra < 0.4 µm / Rz = 4 µm	
Remarks		
Pack quantity	1 pcs.	