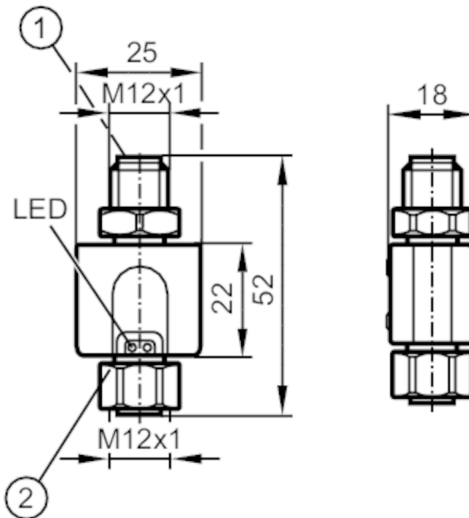


# E30398



## IO-Link memory plug

MEMORY PLUG



- 1 connection for voltage supply and output signals  
2 connection for temperature sensor



### Electrical data

Operating voltage [V]	18...32 DC
Current consumption [mA]	< 35
Min. insulation resistance [MΩ]	100; (500 V DC)
Protection class	III
Reverse polarity protection	yes

### Outputs

Output signal	IO-Link
Electrical design	PNP
Max. voltage drop switching output DC [V]	0.5
Permanent current rating of switching output DC [mA]	500; (briefly: 2 A / 50 ms)
Type of short-circuit protection	depending on the connected sensor

### Interfaces

Communication interface	IO-Link
-------------------------	---------

#### IO-Link Device

Transmission type	COM2 (38,4 kBaud)
IO-Link revision	1.1
SIO mode	no
Required master port class	A
Min. process cycle time [ms]	2.5

#### IO-Link Master

Transmission type	COM1 (4,8 kBaud); COM2 (38,4 kBaud); COM3 (230,4 kBaud)
IO-Link revision	1.1
SDCI standard	IEC 61131-9 (Draft)
Number of ports class A	1

# E30398



## IO-Link memory plug

MEMORY PLUG

Operating conditions		
Ambient temperature	[°C]	-25...60
Storage temperature	[°C]	-40...85
Protection		IP 65; IP 67
Tests / approvals		
EMC	EN 61000-6-2	
Shock resistance	DIN IEC 68-2-27	50 g 11 ms
Vibration resistance	DIN IEC 68-2-6	20 g (10...2000 Hz)
MTTF	[years]	655.69
Mechanical data		
Weight	[g]	116.5
Housing		rectangular
Dimensions	[mm]	52 x 25 x 18
Material		PA PACM 12 (TROGAMID); PET
Sealing material		FKM
Displays / operating elements		
Display	Power	2 x LED, green
Remarks		
Remarks	Only for positive switching sensors The memory plug acts as master if it is connected with a sensor. The memory plug acts as device if it is used with the service program. cULus - Class 2 source required	
Pack quantity	1 pcs.	
Electrical connection		
Connector: 1 x M12; coding: A; Contacts: 4; Moulded body: TPU (urethane); Locking: stainless steel (1.4404 / 316L); sealing: FKM		
Connection		
1:	sensor	
2:	Memory plug	