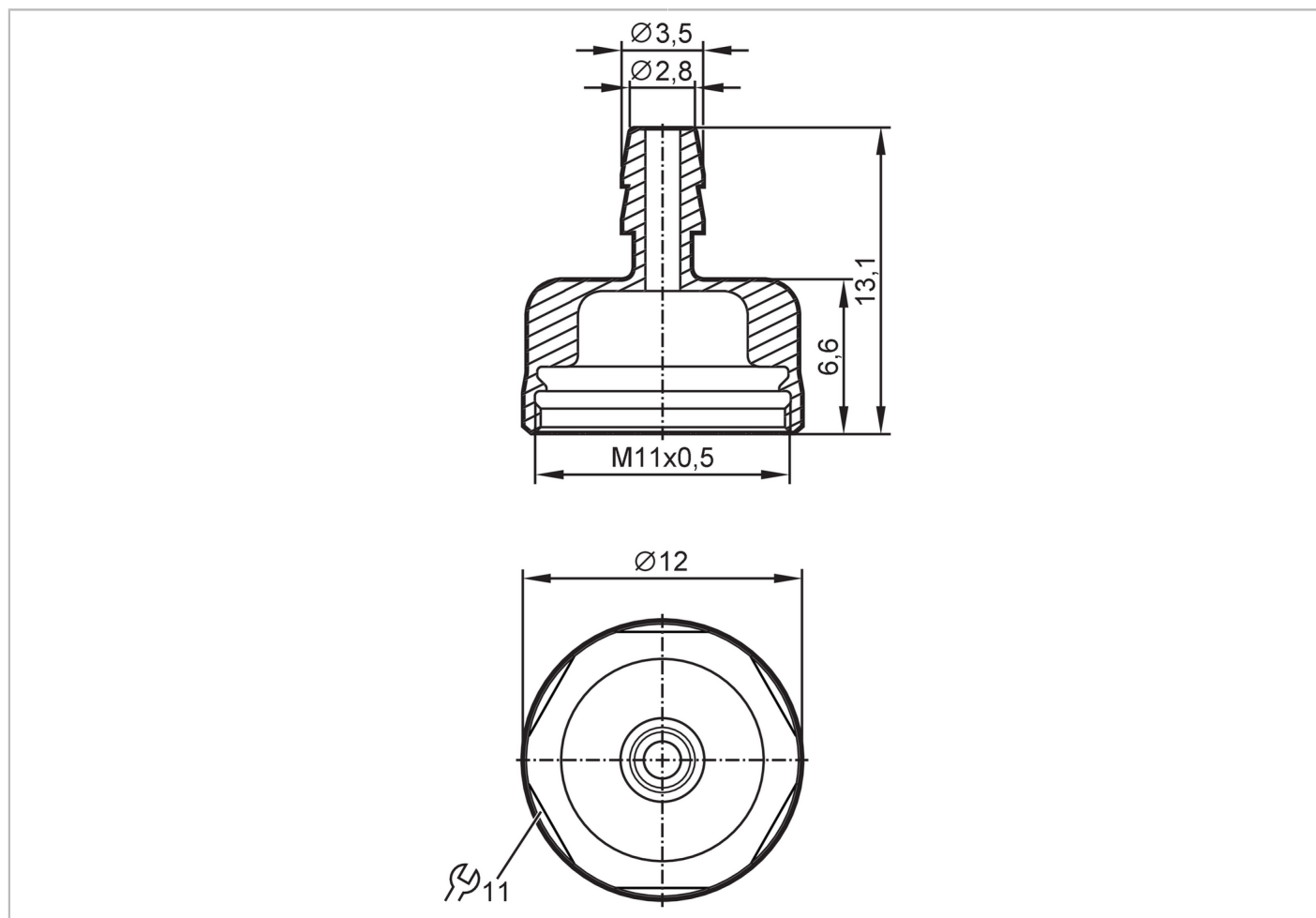


E30139



Filter cover for pressure sensors

HOSE BARB COVER FILTER SYSTEM



Mechanical data	
Weight [g]	13.6
Material	stainless steel (1.4404 / 316L); PTFE; FKM; PE
Tightening torque [Nm]	2.5...3.5; (recommended tightening torque)
Accessories	
Items supplied	Filter cover including ventilation diaphragm and O-ring tubing: 0,5 m, polyethylene
Remarks	
Pack quantity	1 pcs.