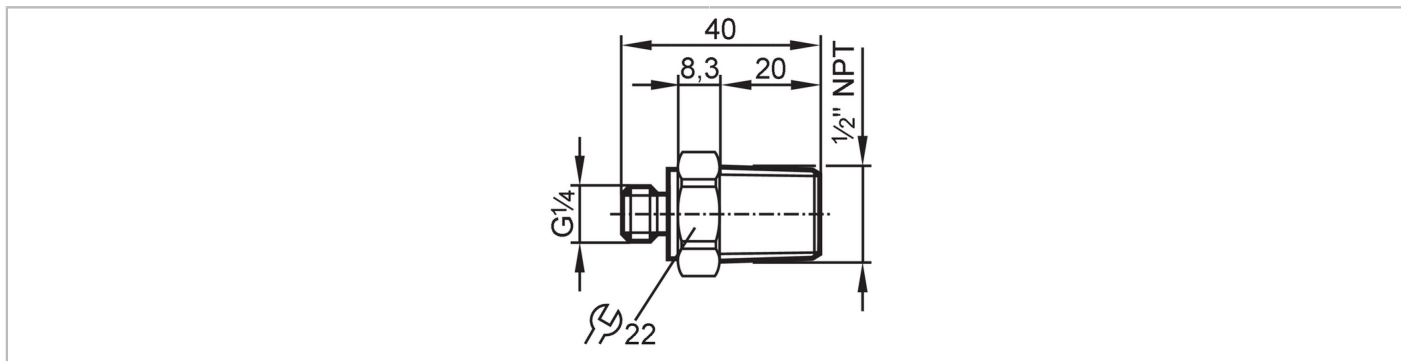


E30133



Screw-in adapter for process sensors

ADAPT G1/4 A - 1/2NPT A



CRN

Application	
Pressure rating	800 bar 80 MPa
MAWP (for applications according to CRN) [bar]	800
Tests / approvals	
Pressure equipment directive	A possible classification to PED depends on the application and has to be carried out by the user / operator.
Safety instructions	The compatibility between medium and product material has to be checked in all applications.
Mechanical data	
Weight [g]	102.3
Material	stainless steel (1.4404 / 316L)
Sensor connection	G 1/4
Process connection	threaded connection 1/2" NPT
Remarks	
Pack quantity	1 pcs.