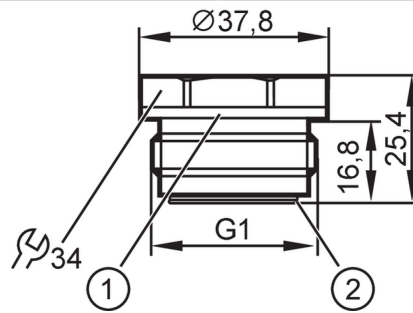


# E30128



## Cover plug for process connections

ADAPTER PLUG ASEPTOFLEX VARIO



- 1 groove for sealing ring DIN 3869-33-FKM
- 2 groove for O-ring 24 x 2 (EPDM) or optional sealing rings

EC 1935/2004 EHEDG Certified FCM FDA

Application	
Pressure rating	[bar] 100
Tests / approvals	
Pressure equipment directive	A possible classification to PED depends on the application and has to be carried out by the user / operator.
Safety instructions	The compatibility between medium and product material has to be checked in all applications.
Mechanical data	
Weight	[g] 203
Materials (wetted parts)	stainless steel (1.4435 / 316L) surface characteristics: Ra < 0,4 µm / Rz = 4 µm; Gasket: FKM
Process connection	threaded connection G 1 external thread Aseptoflex Vario
Accessories	
Items supplied	O-rings: 1 x (24 x 2 mm), EPDM in contact with the medium, E30054 sealing rings: 1, DIN 3869-33-FKM
Accessories (optional)	O-ring: 24 x 2 (FKM), in contact with the medium, E30123 sealing ring: PEEK, in contact with the medium, E30124
Remarks	
Pack quantity	1 pcs.