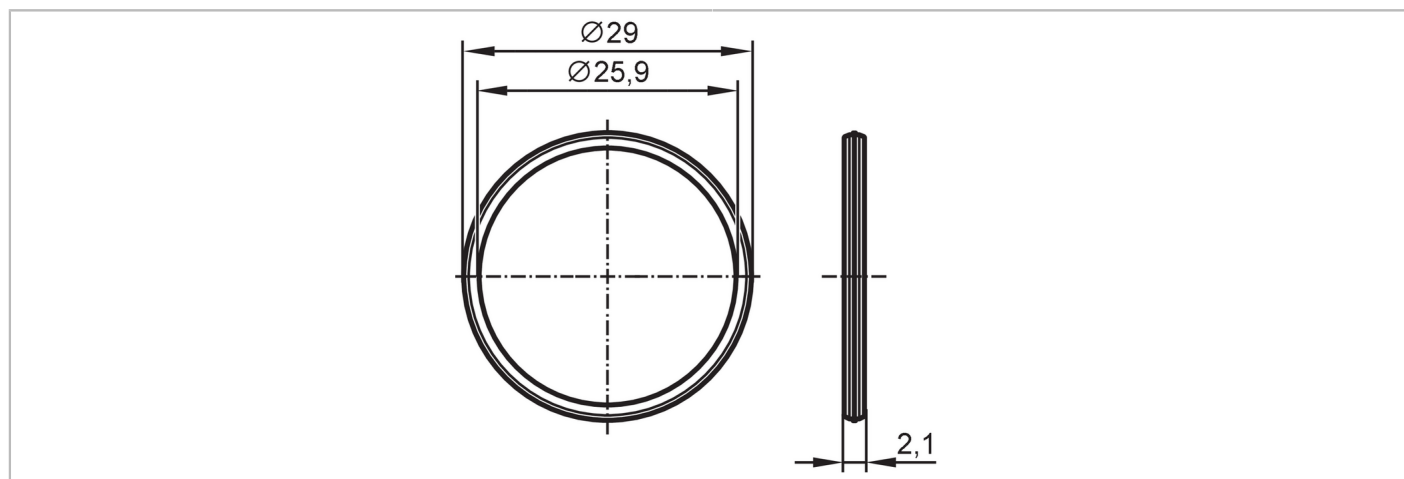


# E30124



## Gasket

PEEK SEAL



EC 1935/2004 EHEDG Certified FCM FDA

Application	
Design	for Aseptoflex Vario adapter
Mechanical data	
Weight [g]	4.5
Inside diameter [mm]	25.9
Outer diameter [mm]	29
Material	PEEK FDA compliant
Remarks	
Pack quantity	1 pcs.